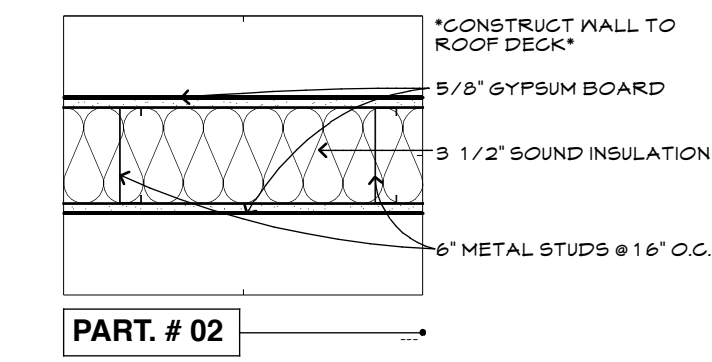
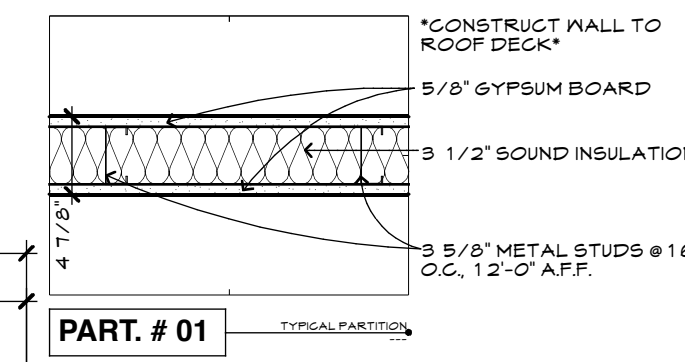


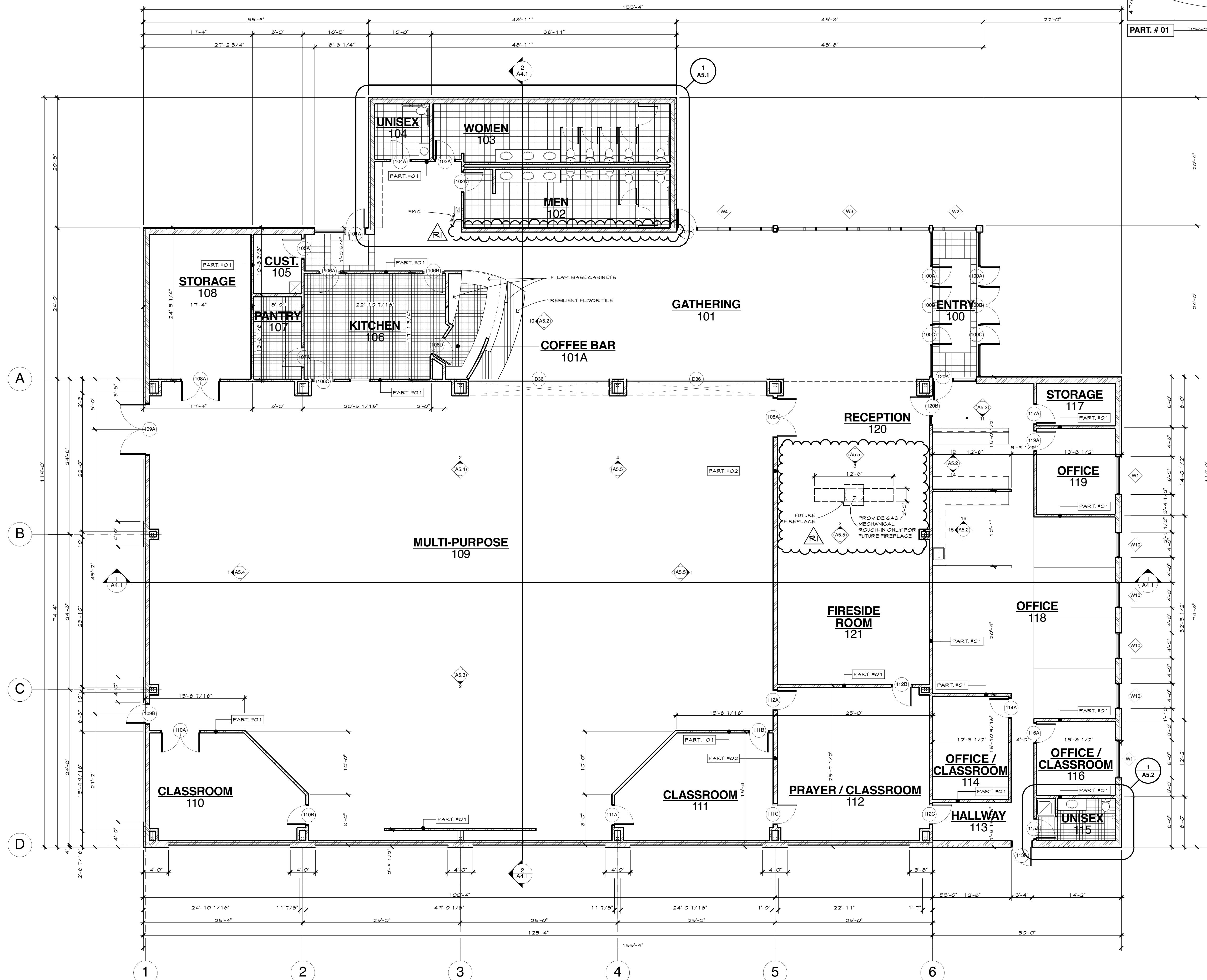
**WALL TYPES**



**NEGEN**  
ARCHITECTS

STUDIO: 22517 178th Ave.  
Scale 200  
CORRESPONDENCE: Cold Spring, Minnesota 56320  
TELEPHONE: 320.665.3394  
FACSIMILE: 320.665.4029  
WWW: www.negenarchitects.com

*Mount Olivet*  
Assembly of God  
14201 Cedar Avenue South  
Apple Valley, MN 55124  
652.432.4332



**1 Floor Plan**  
Scale 1/8" = 1'-0"

R2 15,712.8 14 sq ft

REVISION	DATE
R2	SEPTEMBER 11, 2007
R1	JUNE 20, 2007

I hereby certify that this plan, specification, or report was prepared by me or under my direct supervision and that I am a duly Licensed Architect under the laws of the State of Minnesota.  
Print Name: \_\_\_\_\_  
Signature: *Law My*

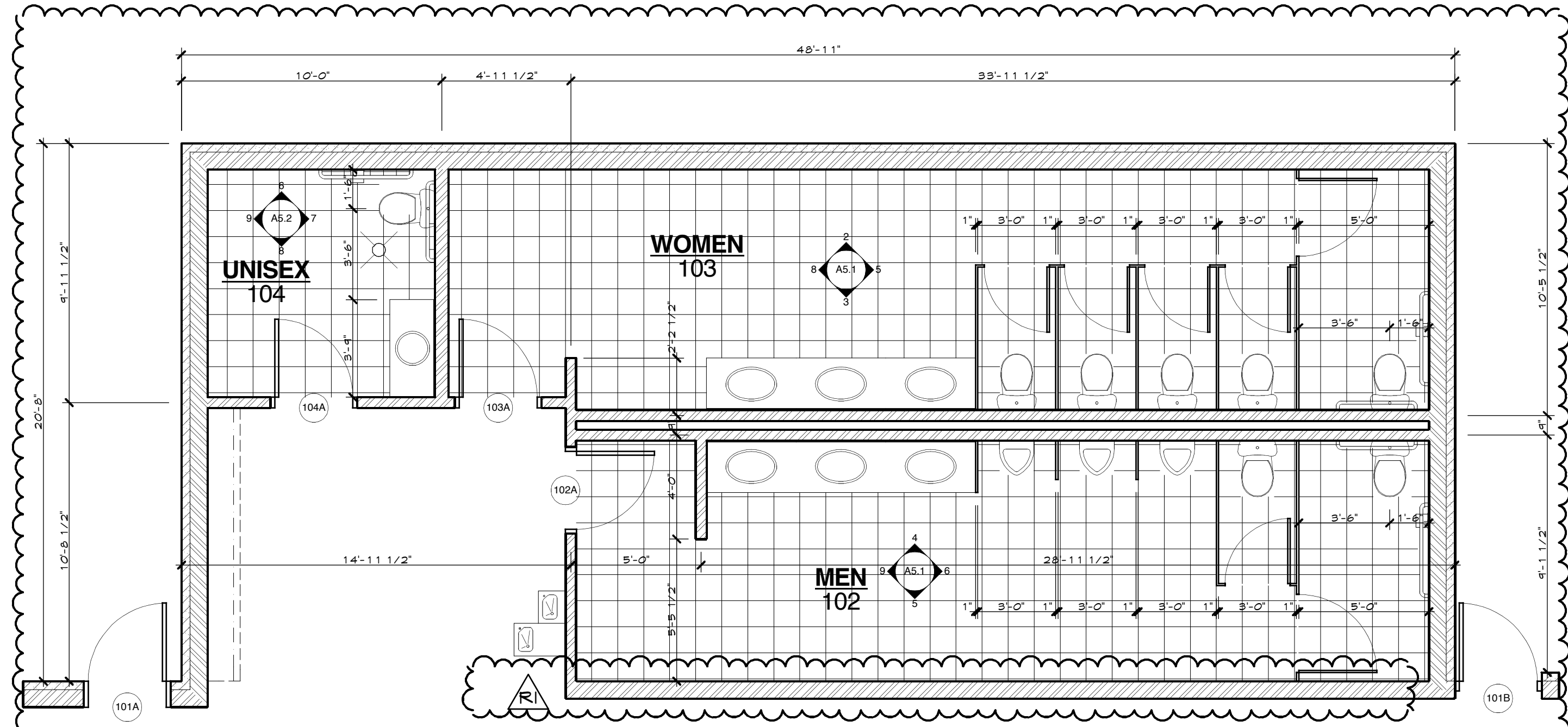
Date: February 13, 2007 License No: 41402

**Floor Plan**

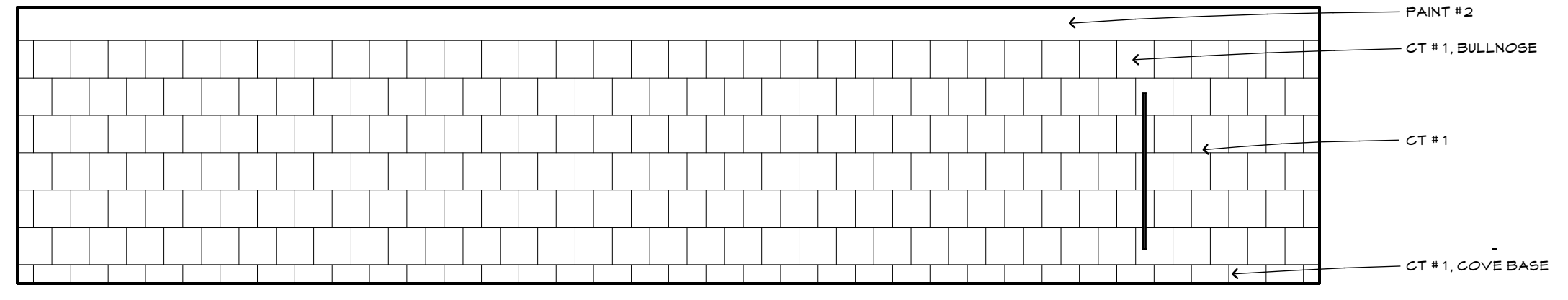
COMM. NO.: 50714  
SCALE: ---  
DATE: FEBRUARY 13, 2007  
DRAWN BY: ---

**BID DOCUMENTS**

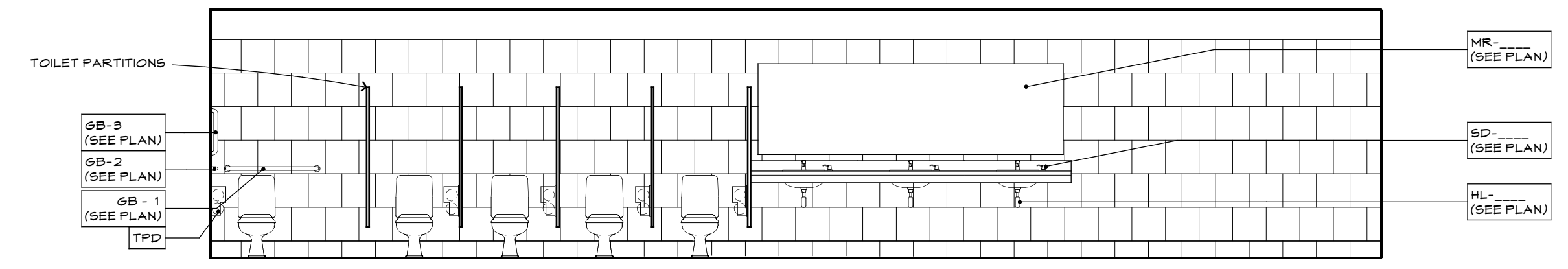
**A2.1**



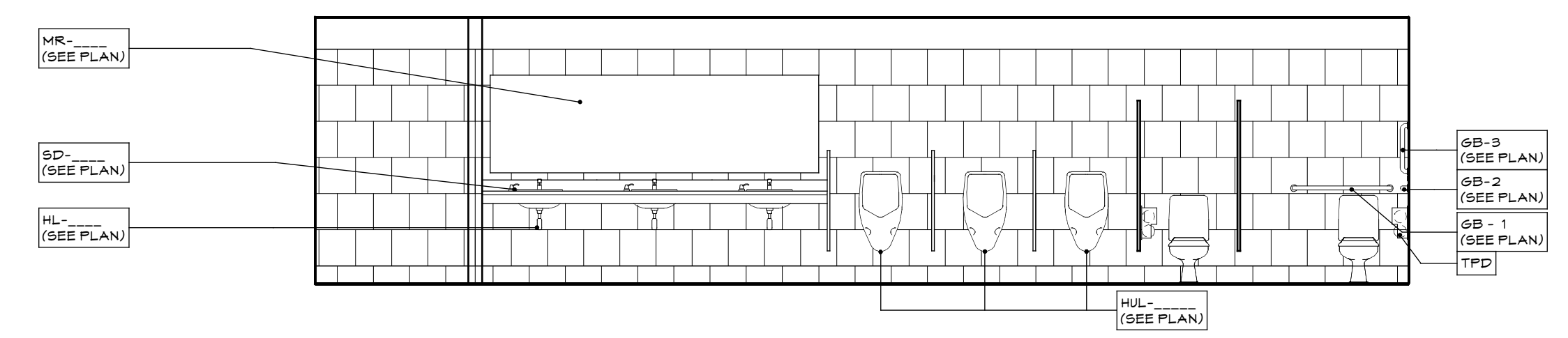
**1 Enlarged Plan**  
A5.1 Scale 1/4" = 1' - 0"



**2 Interior Elevation**  
A5.1 Scale 1/4" = 1' - 0"



**3 Interior Elevation**  
A5.1 Scale 1/4" = 1' - 0"

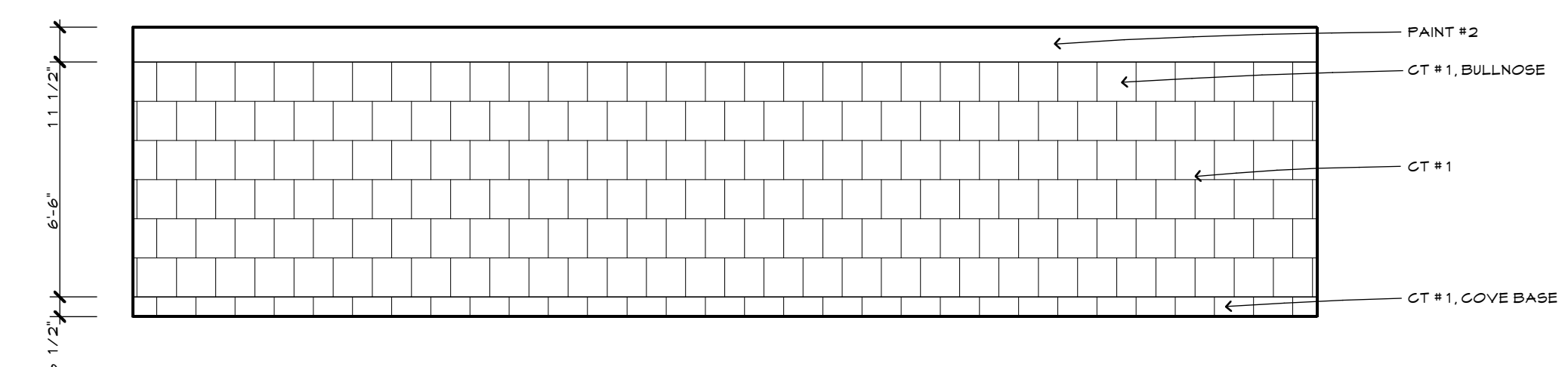


**4 Interior Elevation**  
A5.1 Scale 1/4" = 1' - 0"

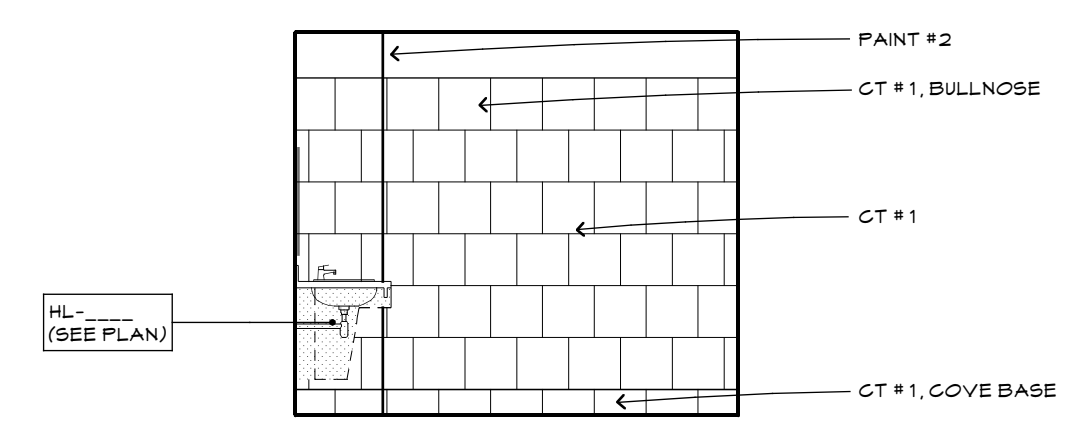


**5 Interior Elevation**  
A5.1 Scale 1/4" = 1' - 0"

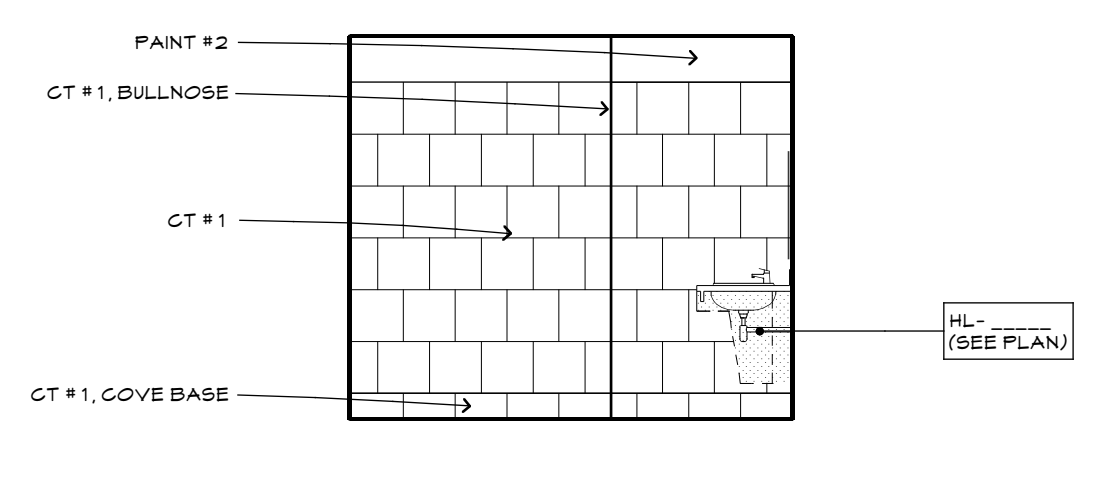
**6 Interior Elevation**  
A5.1 Scale 1/4" = 1' - 0"



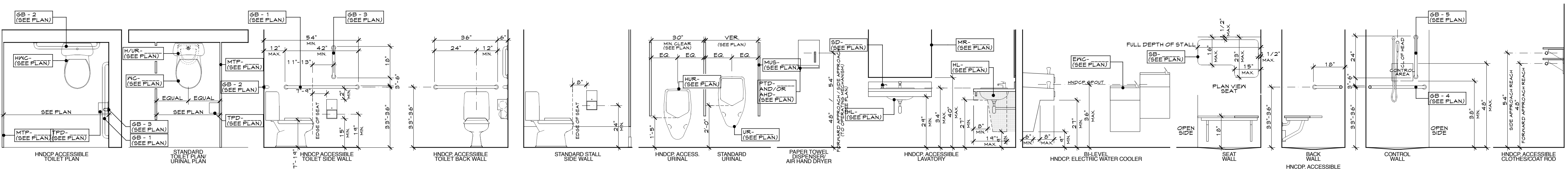
**7 Interior Elevation**  
A5.1 Scale 1/4" = 1' - 0"



**8 Interior Elevation**  
A5.1 Scale 1/4" = 1' - 0"



**9 Interior Elevation**  
A5.1 Scale 1/4" = 1' - 0"



**STANDARD FIXTURE MOUNTING SCHEDULE**

NOTES:  
1. DIMENSIONED ITEMS TYPICAL UNLESS NOTES OTHERWISE (U.N.O.). SEE INTERIOR ELEVATIONS.  
2. DISPLAYED FIXTURE TYPES ARE SHOWN FOR GRAPHIC REPRESENTATION ONLY AND MAY NOT REPRESENT EXACT FIXTURE CONFIGURATION.  
3. NOT ALL FIXTURES SHOWN MAY BE USED IN PROJECT - SEE FLOOR PLAN AND SPECIFICATIONS FOR FIXTURES USED.

3/8" = 1'-0"  
FIXTURE KEY:  
AHD - AIR HAND DRYER HWC - HANDICAP WATER CLOSET PD - PAPER TOWEL DISPENSER UR - URINAL  
EWD - ELECTRIC WATER COOLER HUR - HANDICAP URINAL SB - SHOWER BENCH WC - WATER CLOSET  
GB - GRAB BAR MTR - METAL TOILET PARTITION SD - SOAP DISPENSER  
HL - HAND LAVATORY MUS - METAL URINAL SCREEN TPD - TOILET PAPER DISPENSER

REVISION	DATE
R2	SEPTEMBER 11, 2007
R1	JUNE 20, 2007

I hereby certify that this plan, specification, or report was prepared by me or under my direct supervision and that I am a duly Licensed Architect under the laws of the State of Minnesota.  
Print Name: \_\_\_\_\_  
Signature: \_\_\_\_\_

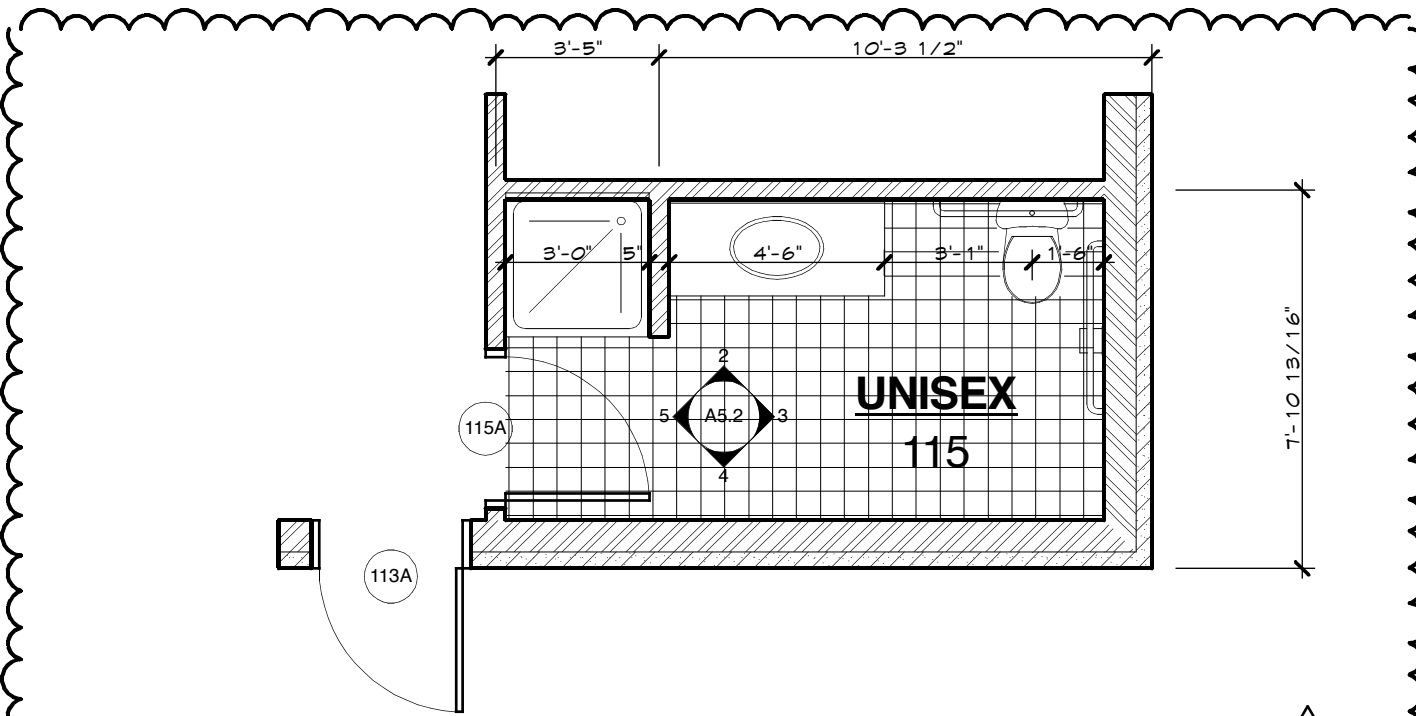
Date: February 13, 2007 License No: 41402

**Interior Elevations**

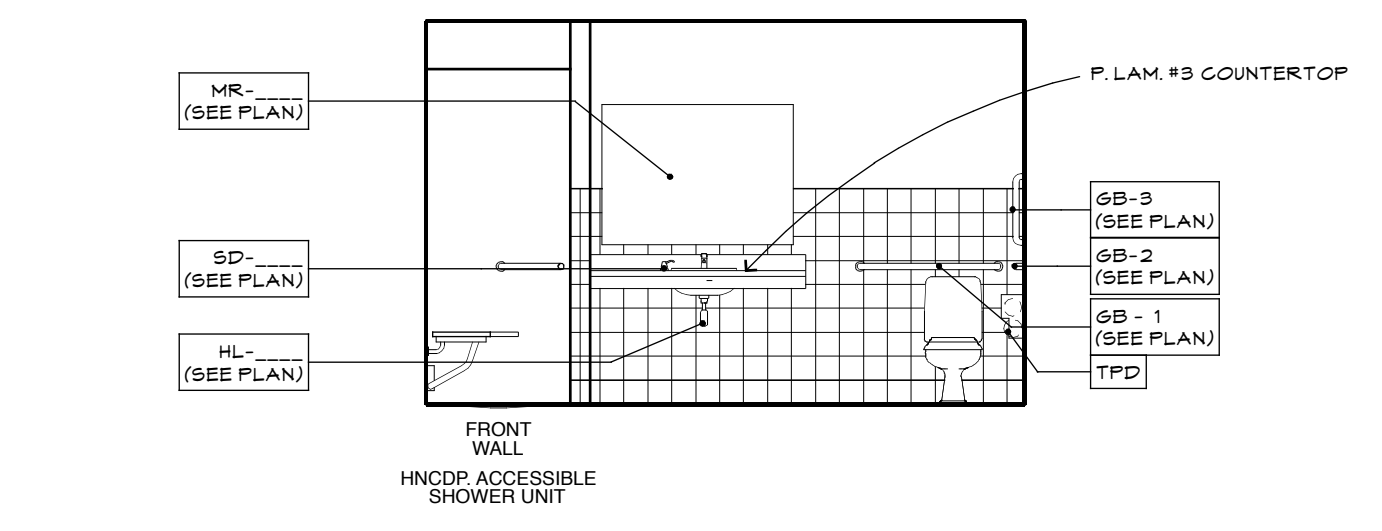
COMM. NO.: 50714  
SCALE: \_\_\_\_\_  
DATE: FEBRUARY 13, 2007  
DRAWN BY: \_\_\_\_\_

**BID DOCUMENTS**

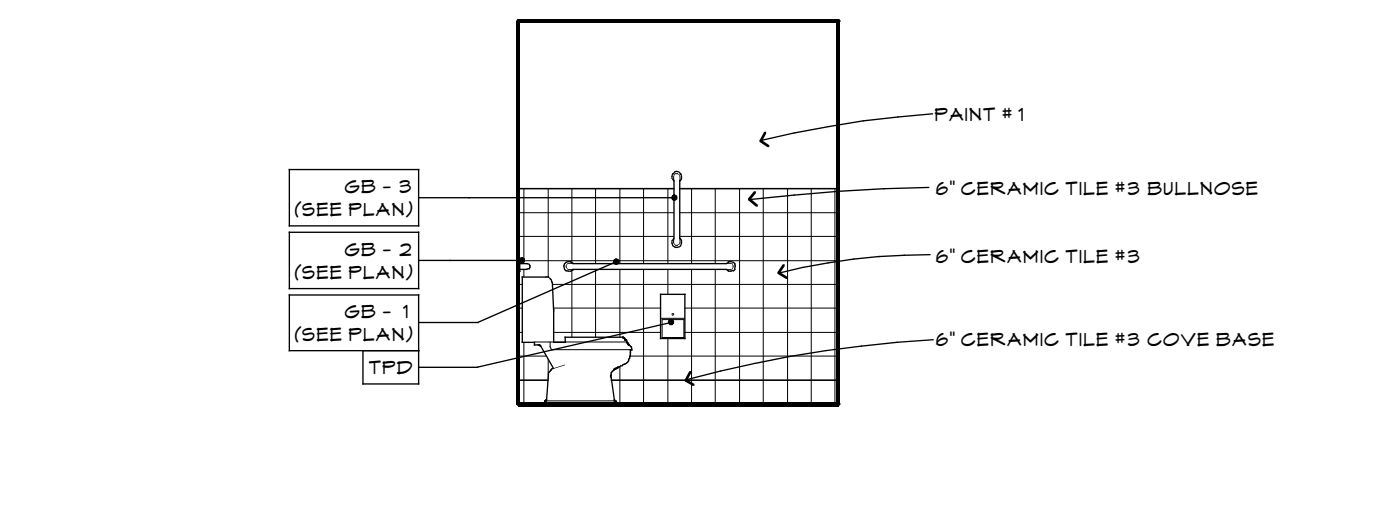
**A5.1**



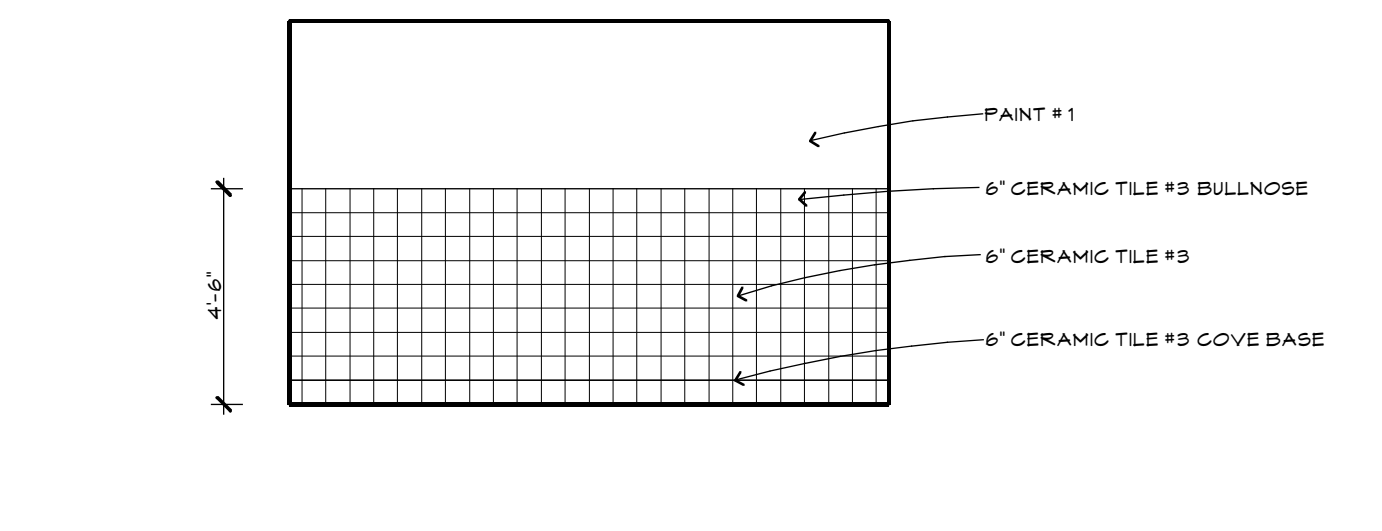
**1**  
**A5.2** **Enlarged Plan**  
Scale 1/4" = 1' - 0"



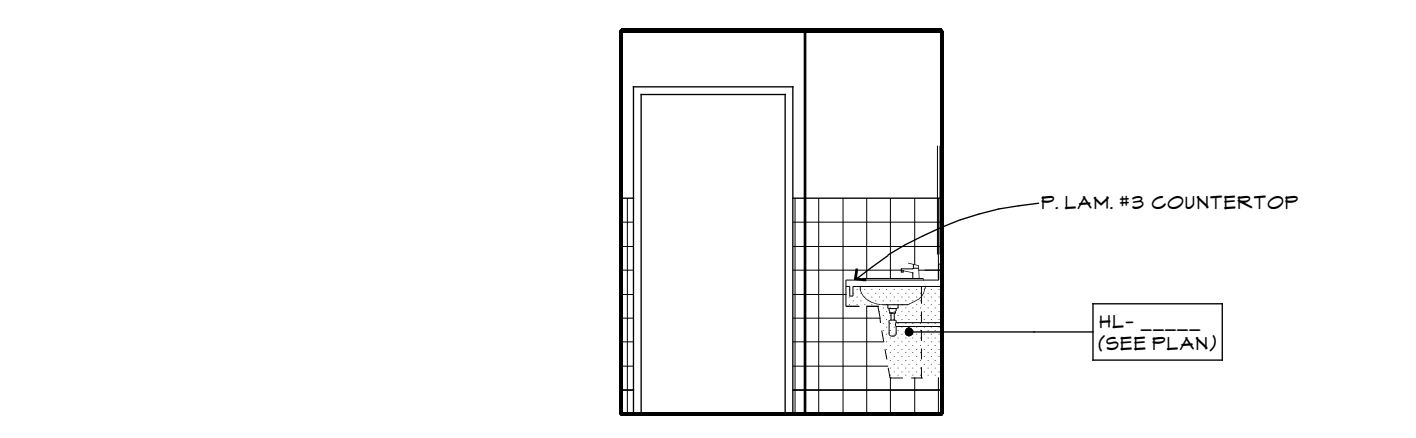
**2**  
**A5.2** **Interior Elevation**  
Scale 1/4" = 1' - 0"



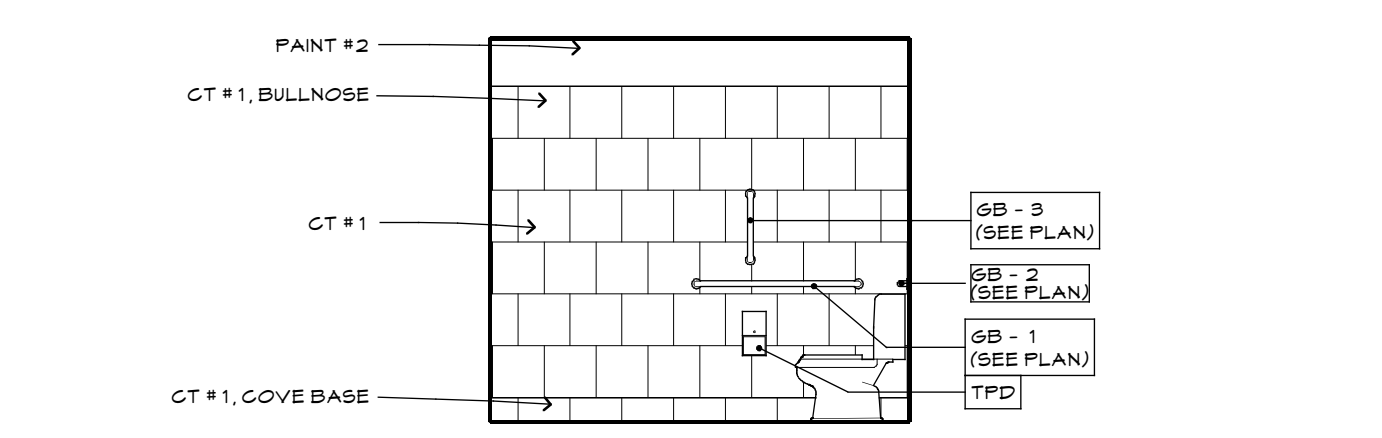
**3**  
**A5.2** **Interior Elevation**  
Scale 1/4" = 1' - 0"



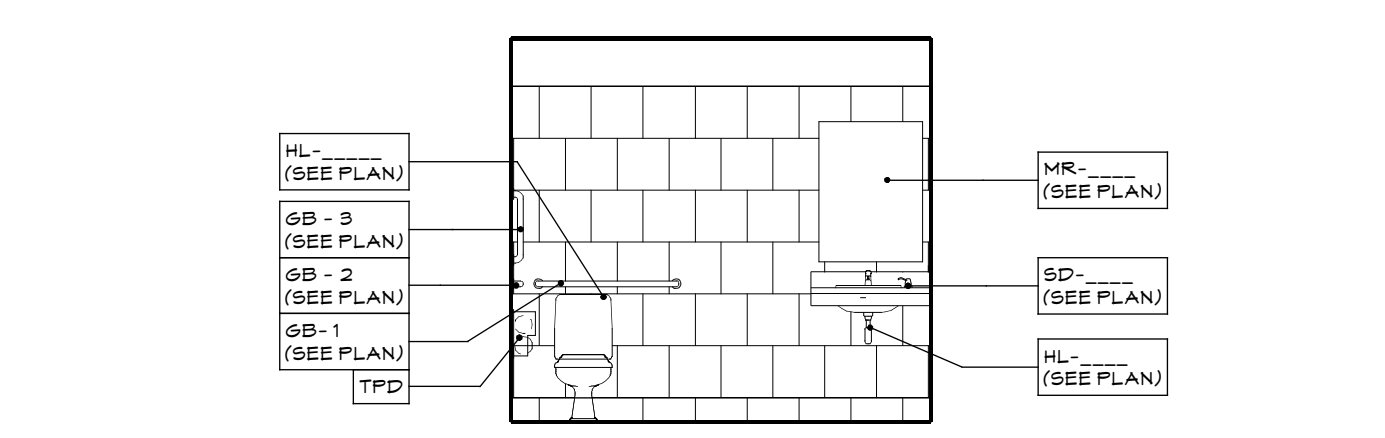
**4**  
**A5.2** **Interior Elevation**  
Scale 1/4" = 1' - 0"



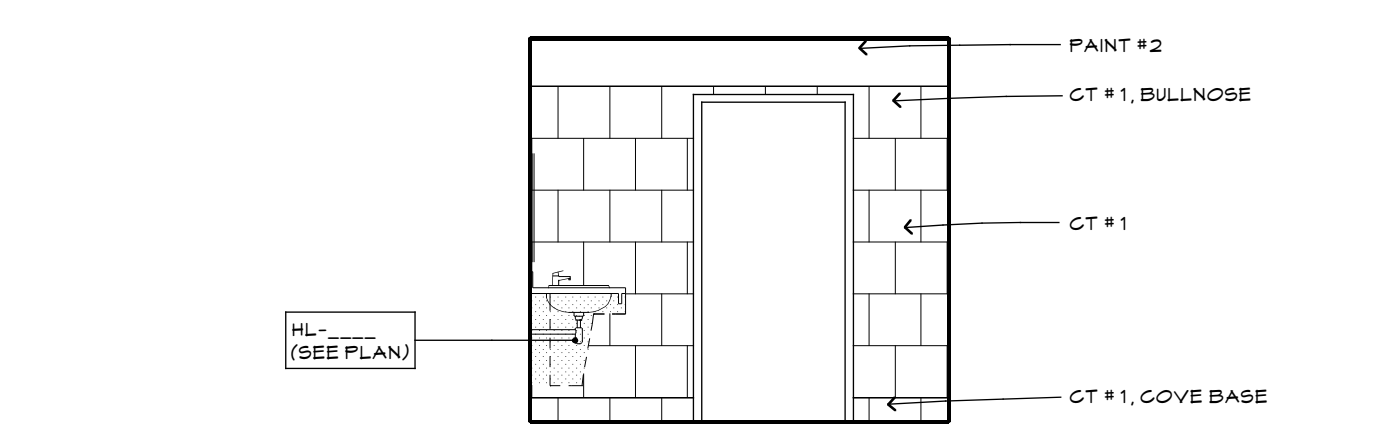
**5**  
**A5.2** **Interior Elevation**  
Scale 1/4" = 1' - 0"



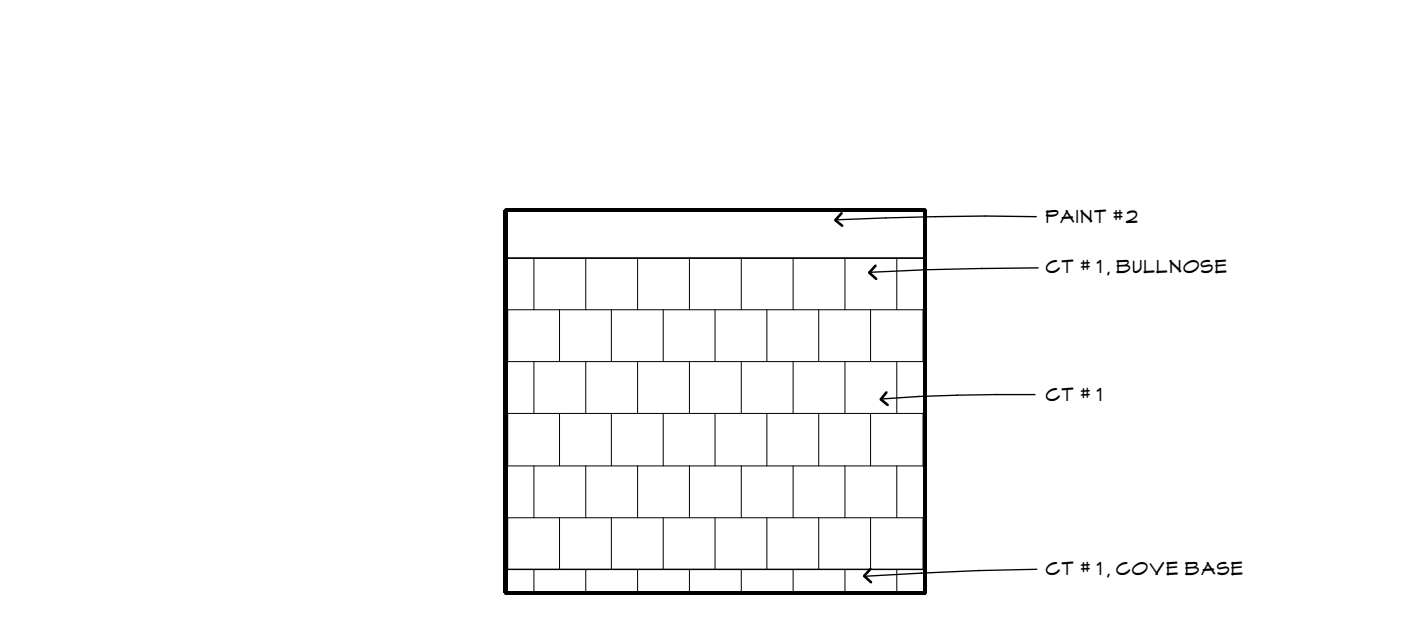
**6**  
**A5.2** **Interior Elevation**  
Scale 1/4" = 1' - 0"



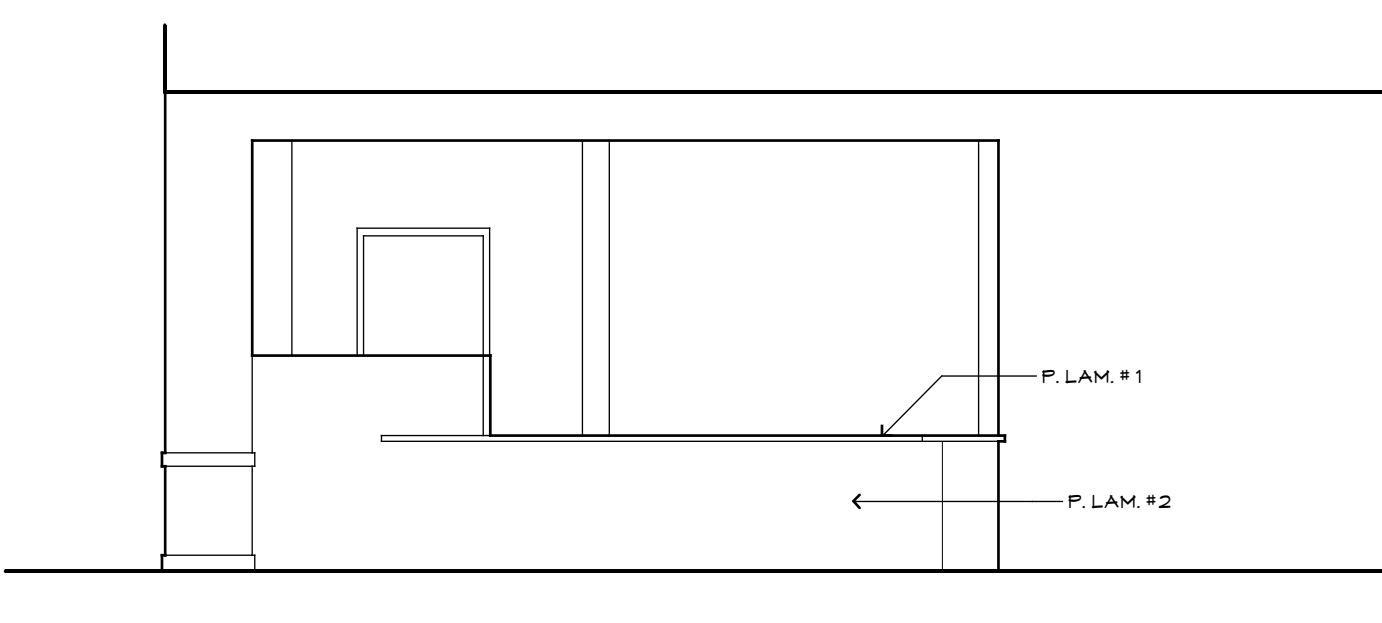
**7**  
**A5.2** **Interior Elevation**  
Scale 1/4" = 1' - 0"



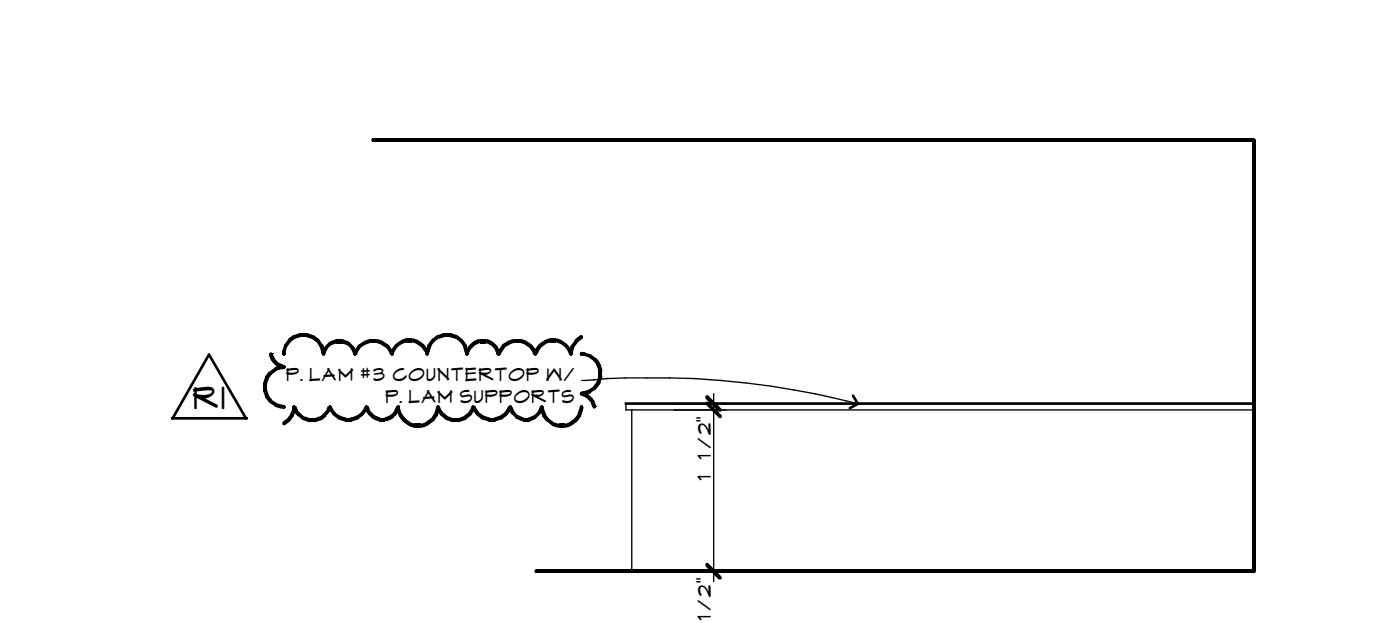
**8**  
**A5.2** **Interior Elevation**  
Scale 1/4" = 1' - 0"



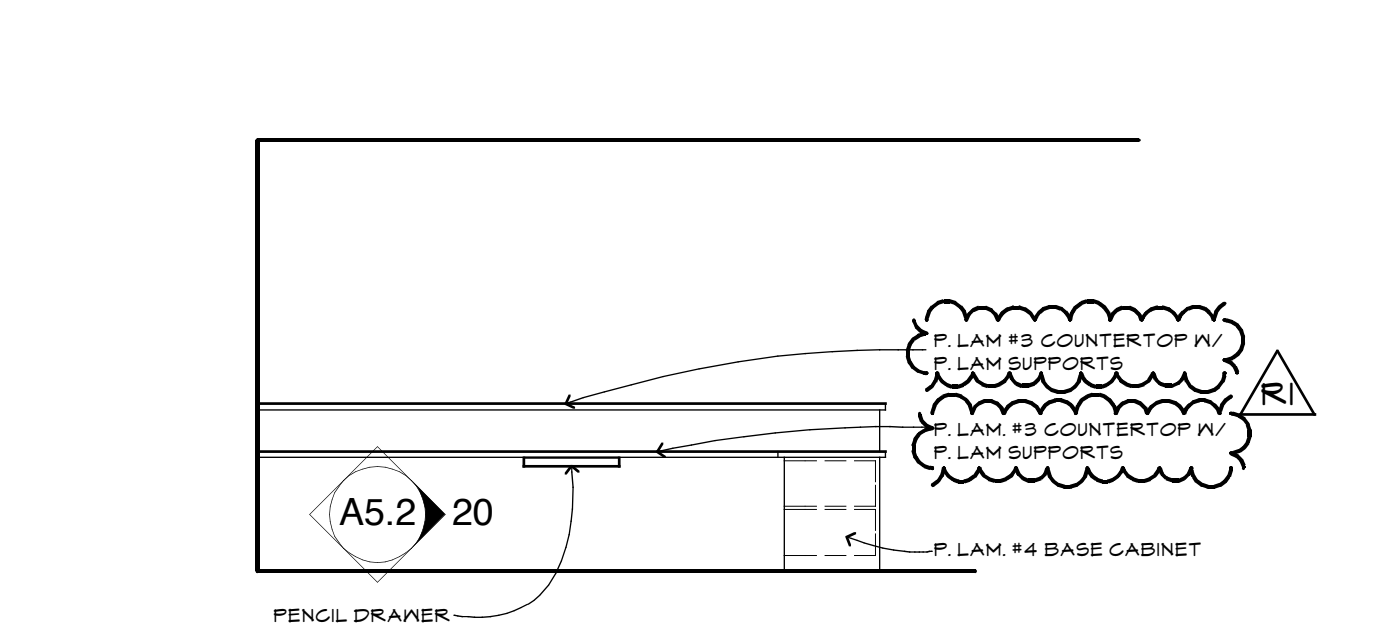
**9**  
**A5.2** **Interior Elevation**  
Scale 1/4" = 1' - 0"



**10**  
**A5.2** **Interior Elevation**  
Scale 1/4" = 1' - 0"



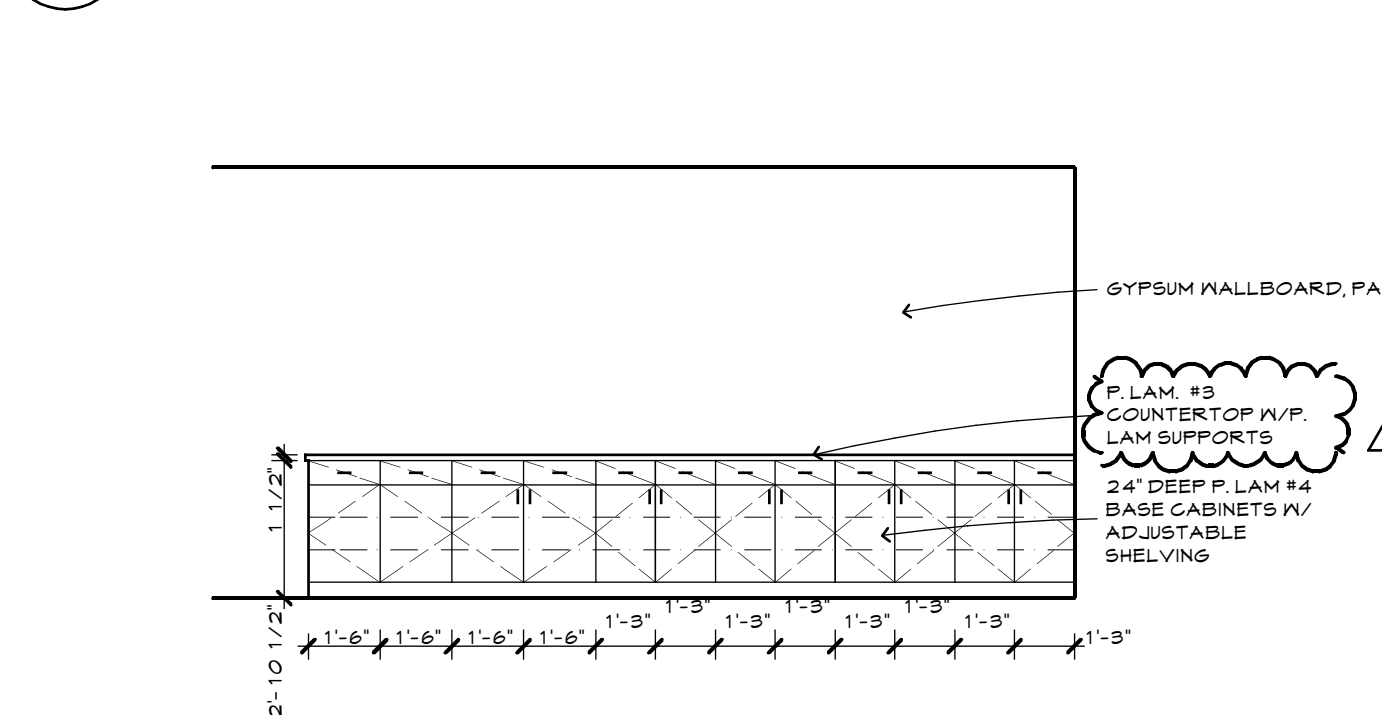
**11**  
**A5.2** **Interior Elevation**  
Scale 1/4" = 1' - 0"



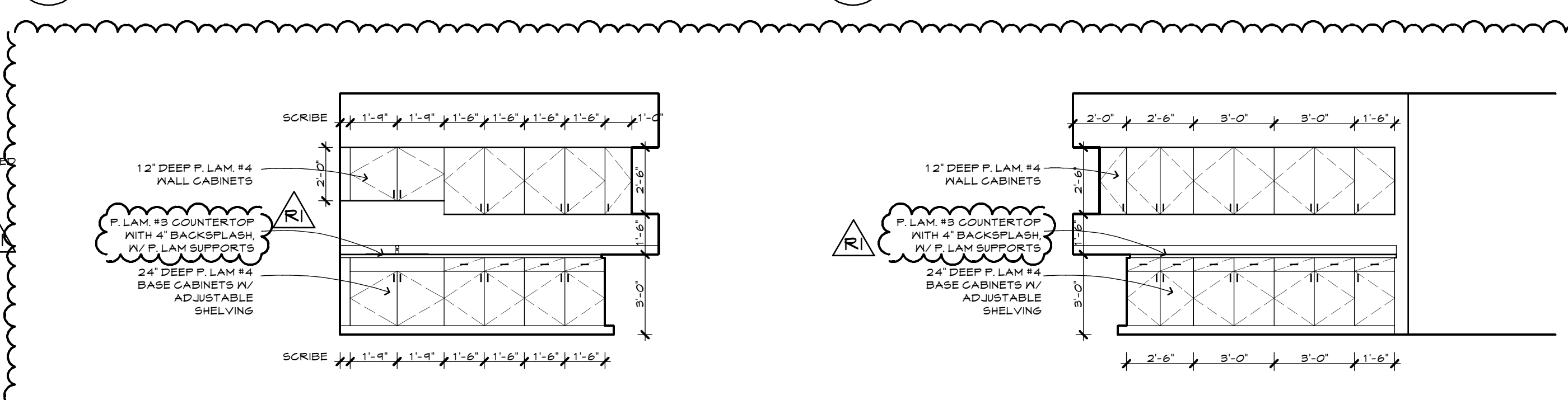
**12**  
**A5.2** **Interior Elevation**  
Scale 1/4" = 1' - 0"



**14**  
**A5.2** **Interior Elevation**  
Scale 1/4" = 1' - 0"



**15**  
**A5.2** **Interior Elevation**  
Scale 1/4" = 1' - 0"



**16**  
**A5.2** **Interior Elevation**  
Scale 1/4" = 1' - 0"

REVISION	DATE
R2	SEPTEMBER 11, 2007
R1	JUNE 20, 2007

I hereby certify that this plan, specification, or report was prepared by me or under my direct supervision and that I am a duly Licensed Architect under the laws of the State of Minnesota.  
Print Name: \_\_\_\_\_  
Signature: *Len My...*

Date: February 13, 2007 License No: 41402

Interior Elevations

COMM. NO.: 50714  
SCALE: ---  
DATE: FEBRUARY 13, 2007  
DRAWN BY: ---

BID DOCUMENTS

**A5.2**