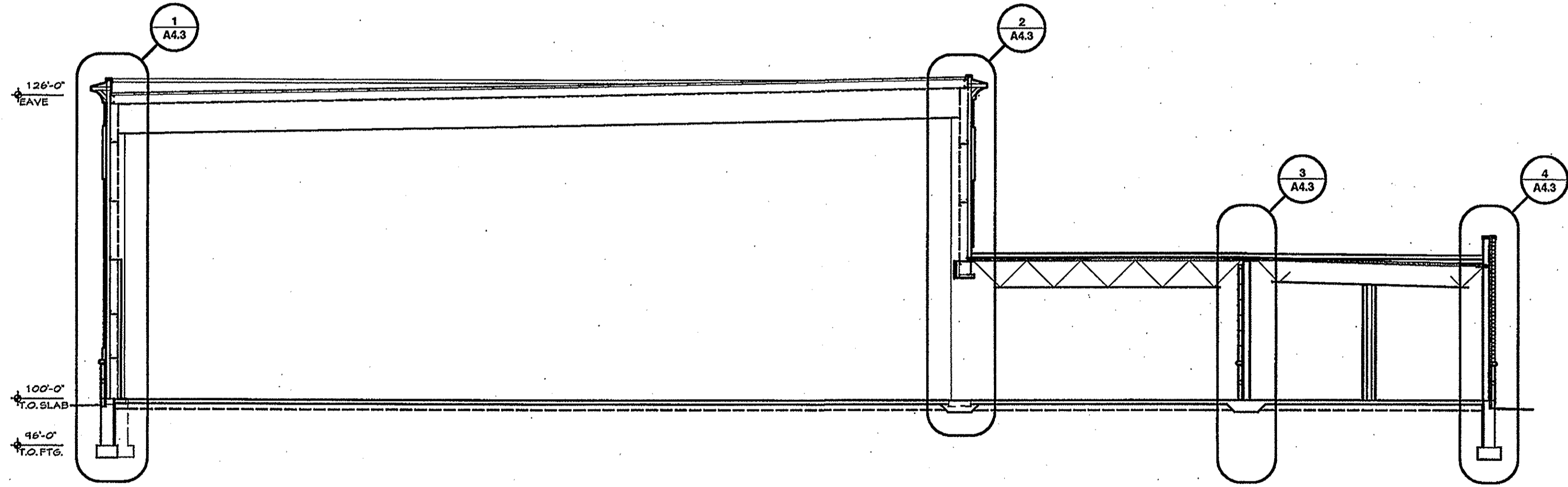


**1**  
**A4.1** Building Section  
Scale 1/8" = 1' - 0"



**2**  
**A4.1** Building Section  
Scale 1/8" = 1' - 0"

*Mount Olivet*  
Assembly of God  
14201 Cedar Avenue South  
Apple Valley, MN 55124  
952.432.4332

REVISION	DATE

I hereby certify that this plan, specification, or report was prepared by me or under my direct supervision and that I am a duly Licensed Architect under the laws of the State of Minnesota.  
Print Name: \_\_\_\_\_  
Signature: \_\_\_\_\_

Date: 2-13-2007 License No: 41402

**Building Sections**

COMM. NO.:	50714
SCALE:	---
DATE:	FEBRUARY 13, 2007
DRAWN BY:	---

BID DOCUMENTS