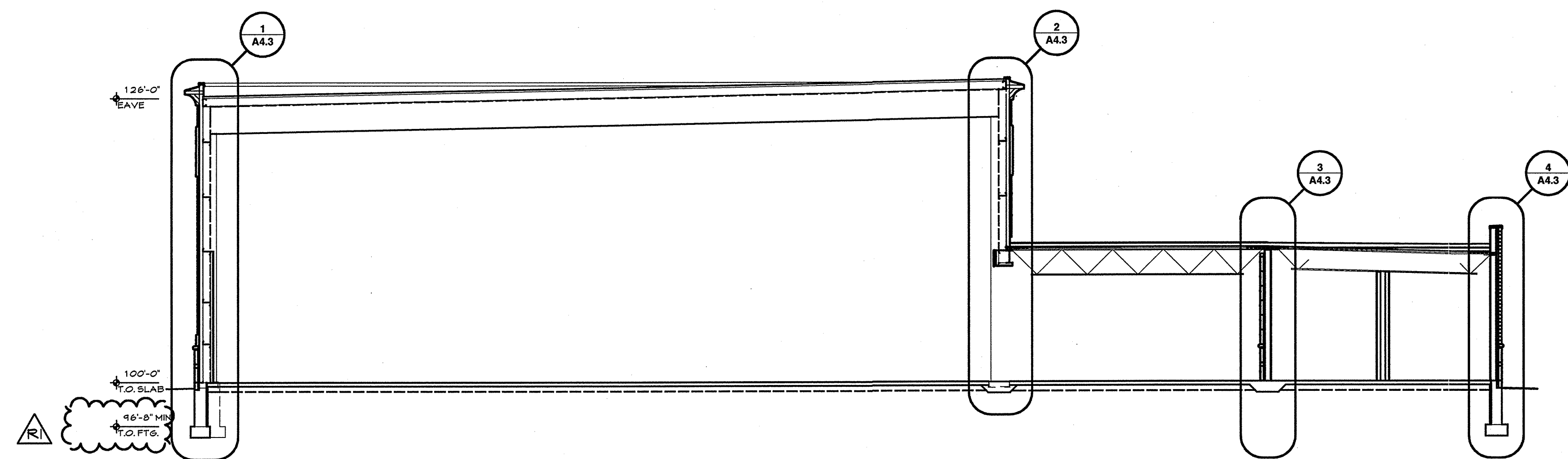


1 Building Section
Scale 1/8" = 1' - 0"



2 Building Section
Scale 1/8" = 1' - 0"

REVISION	DATE

REVISION DATE
JUNE 20, 2007

I hereby certify that this plan, specification, or report was prepared by me or under my direct supervision and that I am a duly Licensed Architect under the laws of the State of Minnesota.

Print Name:
Signature:
Date: February 13, 2007 License No: 41402

Building Sections

COMM. NO.:	50714
SCALE:	--
DATE:	FEBRUARY 13, 2007
DRAWN BY:	--

BID DOCUMENTS

A4.1