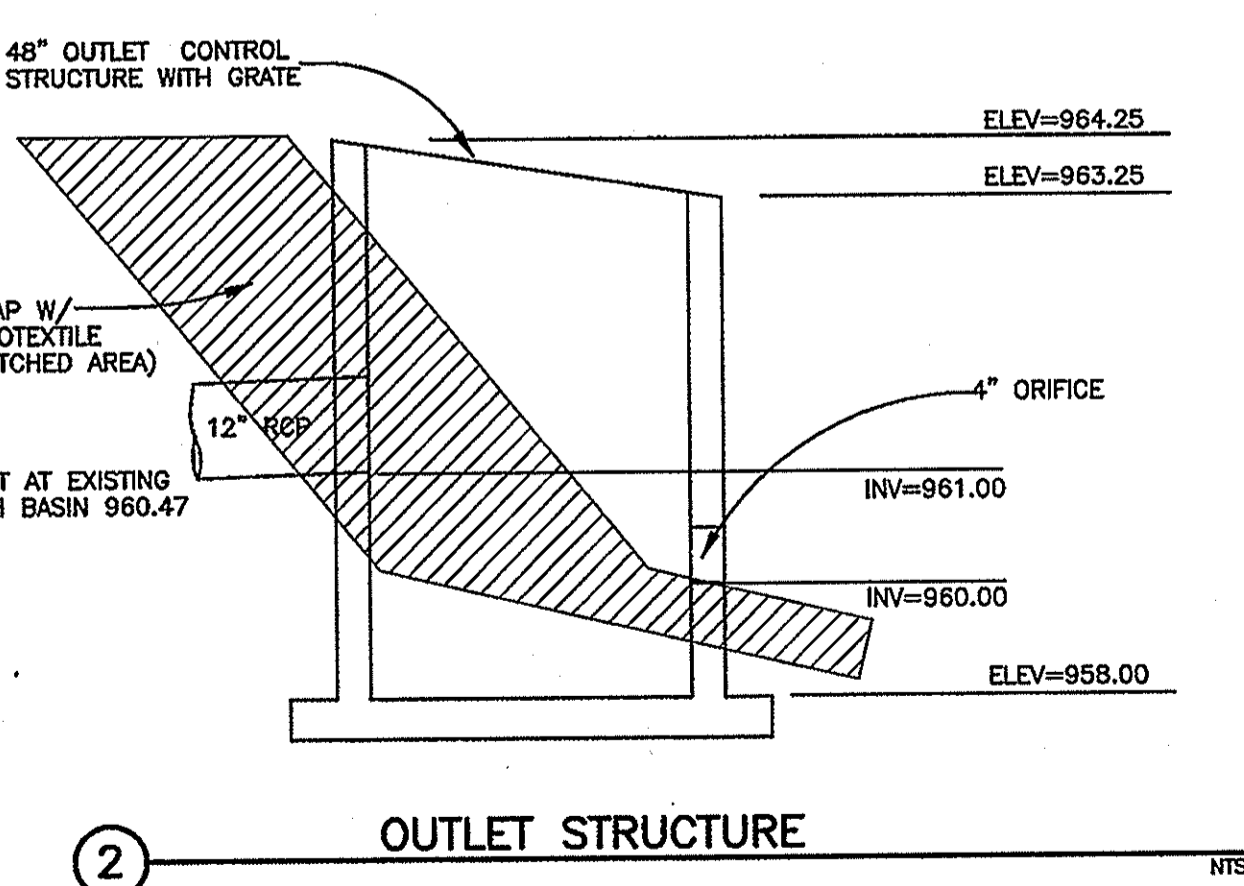
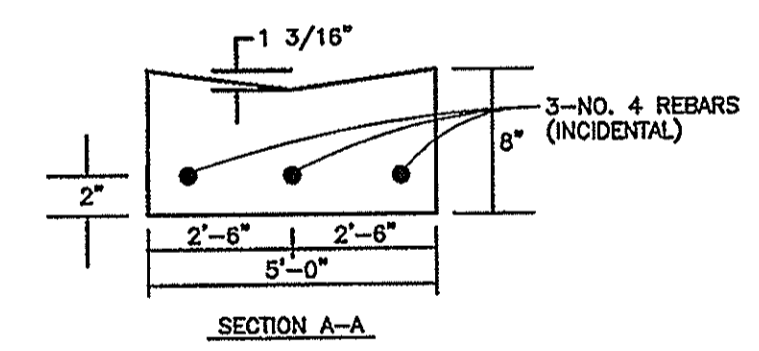


NOTE: ALL RETAINING WALLS 4' AND TALLER SHALL BE DESIGNED BY AN ENGINEER LICENSED IN THE STATE OF MINNESOTA.



GRADING PLAN

MOUNT OLIVET
APPLE VALLEY, MINNESOTA

05224cg.dwg
 SHEET NUMBER
 C1

Bonestroo
Williamson
Kotsmith
 Engineers Architects Surveyors
 www.bonestroo.com

WAITE PARK OFFICE
 60 10TH AVE SOUTH
 WAITE PARK, MN 56387
 PHONE: (320) 259-8888
 FAX: (320) 259-8888

HEREBY CERTIFY THAT THIS PLAN, SPECIFICATION, OR REPORT SURVEY WAS PREPARED BY ME OR UNDER MY DIRECT SUPERVISION AND I AM A DULY LICENSED PROFESSIONAL ENGINEER UNDER THE LAWS OF THE STATE OF MINNESOTA.
 PRINT NAME: THOMAS HERKENHOFF
 SIGNATURE: [Signature]
 DATE: 2/12/07
 LIC. NO.: 25250
 PROJ. NO.: 950-0524