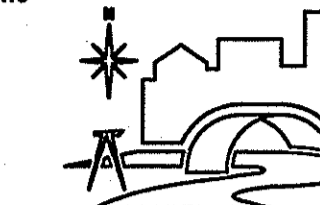


CONSULTANTS



DUFFY ENGINEERING AND ASSOCIATES, INC.
STRUCTURAL - CIVIL - SURVEYING -
MECHANICAL - ELECTRICAL
350 Highway 10 South Suite 101 St.
Cloud, MN 56304
Phone: (320) 259-6575
Fax: (320) 259-6991
Email: mail@duffyeng.com

Mount Olivet
Assembly of God
14201 Cedar Avenue South
Apple Valley, MN 55124
952.432.4332

DIFFUSER, REGISTER & GRILLE SCHEDULE

MARK	MANUFACTURER & MODEL NUMBER	MAX. N.C.	FINISH			DAMPER		FRAME		REMARKS
			WHITE	PRIME	SPEC.	OBD	NONE	LAY-IN	SURF.	
D-1	PRICE RCD	25	X					X	SEE NOTES	
D-2	PRICE HCD1D 18/18	15	X			X		X	SEE NOTES	
D-3	PRICE SCD 24"x24"	25	X					X	SEE NOTES	
D-4	PRICE SCD 12"x12"	20	X					X	SEE NOTES	
G-1	PRICE 80 EGGGRATE	20	X				X	X	SEE NOTES	
G-2	PRICE 530 24"x24"	20	X				X	X	SEE NOTES	
G-3	PRICE 530 18"x18"	20	X				X	X	SEE NOTES	

DIFFUSER, REGISTER GRILLE SCHEDULE NOTES:

- CONTRACTOR SHALL COORDINATE W/ GENERAL CONTRACTOR ON FINAL CEILING PLAN & FRAME TYPE.
- DIFFUSERS & GRILLES TO BE PAINTED, SEE FINISH SCHEDULE.
- ACCEPTABLE MANUFACTURERS: KRUEGER, TITUS, PRICE, NALOR OR APPROVED EQUAL.

ROOF TOP UNIT SCHEDULE
(GAS/DX COOLING)

MARK	MANUFACTURER & MODEL NUMBER	EVAPORATOR FAN			COOLING					HEATING		ELECTRICAL			REMARKS					
		CFM			TEMP. (F)					MBH		MAX FUSE								
		SA	OA	HP	ESP (IN)	ENT. AIR DB	LVG. AIR WB	O.D. DB	WB	AMB	TOT.	SEN.	EER/SEER	IN		OUT	VOLT	PH	AMP	
RTU-1	TRANE YCH15803L0B	5000	1500	5	0.5	80.0	67.0	59.1	57.0	95.0	150	199	9.6	250	122	288	3	63	80	SEE NOTES
RTU-2	TRANE YCD15803L0B	5000	1500	5	0.5	80.0	67.0	59.1	57.0	95.0	150	199	9.6	250	122	288	3	63	80	SEE NOTES
RTU-3	TRANE YCH15803L0B	5000	1500	3	0.5	80.0	67.0	59.7	57.5	95.0	150	142	9.6	250	122	288	3	63	80	SEE NOTES
RTU-4	TRANE YSC092A3ELA0000	3000	1000	5	0.5	80.0	67.0	58.9	56.8	95.0	90	198	10.1	120	97.2	288	3	38.9	50	SEE NOTES
RTU-5	TRANE YSC102A3ELA0000	3400	1000	3	0.5	80.0	67.0	59.7	57.5	95.0	185	142	10.1	120	97.2	288	3	44.4	60	SEE NOTES

ROOF TOP UNIT SCHEDULE NOTES:

- PROVIDE 14" HIGH ROOF CURB, MOTORIZED 100% OUTSIDE AIR DAMPER, STAINLESS STEEL HEAT EXCHANGER, CONVENIENCE OUTLET, RETURN AIR SMOKE DETECTOR, EQUIPMENT ELECTRICAL DISCONNECT.
- PROVIDE VIBRATION ISOLATION CURBS BY MICRO METAL WITH SOUND BATT INSULATION.
- ACCEPTABLE MANUFACTURERS: CARRIER, LENOX, MCQUAY, TRANE, YORK OR APPROVED EQUAL.

EXHAUST FAN SCHEDULE

MARK	MANUFACTURER & MODEL NUMBER	MOUNTING LOCATION	FAN TYPE	CFM	EXT. STATIC	MOTOR DATA				REMARKS
						HP	VOLTS	PHASE	RPM	
EF-1	GREENHECK GB-891	ROOF	C,B	800	.2	1/4	115	1	1725	SEE NOTES
EF-2	GREENHECK SP-870	CEILING	C,D	75	.1	45W	115	1	675	SEE NOTES
EF-3	GREENHECK SP-870	CEILING	C,D	75	.1	45W	115	1	675	SEE NOTES
EF-4	GREENHECK CUBE-141	ROOF	C,B	1500	.25	1/4	115	1	1725	SEE NOTES
EF-5	GREENHECK CUBE-141	ROOF	C,B	1500	.25	1/4	115	1	1725	SEE NOTES
EF-6	GREENHECK gb-871	ROOF	C,B	100	.2	1/6	115	1	1725	SEE NOTES

EXHAUST FAN SCHEDULE NOTES:

- PROVIDE SELF-ACTING BACKDRAFT DAMPER, BIRDSCREEN AND UNIT MOUNTED DISCONNECT SWITCH.
- INTERLOCK W/ BATHROOM LIGHT.
- ACCEPTABLE MANUFACTURERS: COOK, GREENHECK, JENN, COOLAIR OR APPROVED EQUAL.

EXHAUST FAN SCHEDULE ABBREVIATIONS:

- C - CENTRIFUGAL
- P - PROPELLER
- W - WALL MOUNTED
- IL - IN-LINE
- B - BELT DRIVE
- D - DIRECT DRIVE
- EF - EXHAUST FAN
- RW - ROOF VENTILATOR
- R - ROOF MOUNTED
- IN - INCLINE MOUNTED
- CEF - CEILING EXHAUST FAN

MAKE-UP AIR UNIT SCHEDULE
(GAS FIRED)

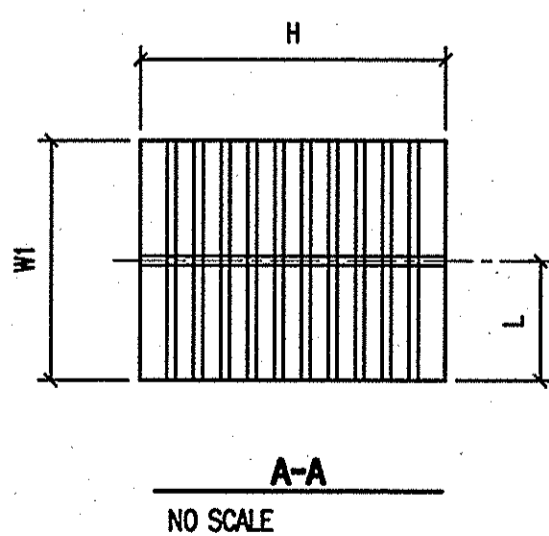
MARK	MANUFACTURER & MODEL NUMBER	O.A. CFM	FAN SECTION				HEATING SECTION				COOLING					ELECTRICAL		FILTER TYPE	REMARKS				
			FAN TYPE	ESP	HP	DRIVE	FUEL	BURNER TYPE	INPUT MBH	OUTPUT MBH	TEMP. RISE	TEMP. (F)					VOLT			PH			
												ENT. AIR DB	LVG. AIR WB	O.D. DB	WB	AMB					CAPACITY MBH	EER/SEER	
MAU-1	GREENHECK IGX-112-H22	3000	FC	0.25	1-1/2	B	NG	IDF	286.6	-	90°F	91	76	55.5	55.5	95	215.5	-	-	288	3	2"AL	SEE NOTES

MAKE-UP AIR UNIT SCHEDULE NOTES:

- PROVIDE MOTORIZED DISCHARGE DAMPER, INTAKE HOOD W/ BIRDSCREEN AND UNIT MOUNTED DISCONNECT SWITCH.
- PROVIDE MAINTROL SERIES 14 MODEL 401M DISCHARGE AIR TEMPERATURE CONTROL.
- INTERLOCK W/ EF-4 & EF-5
- ACCEPTABLE MANUFACTURERS: GREENHECK, RUPP, REZNOV, STERLINE, MODINE OR APPROVED EQUAL.

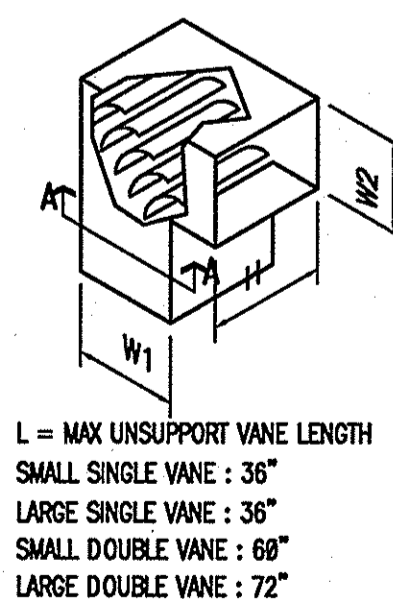
MAKE-UP AIR UNIT SCHEDULE ABBREVIATIONS:

- B - BELT DRIVE
- H - HORIZONTAL FLOW
- D - DOWN FLOW
- FC - FORWARD CURVE
- NG - NATURAL GAS
- P - PROPANE
- IDF - INDIRECT FIRED
- DF - DIRECT FIRED
- TA - THROW AWAY

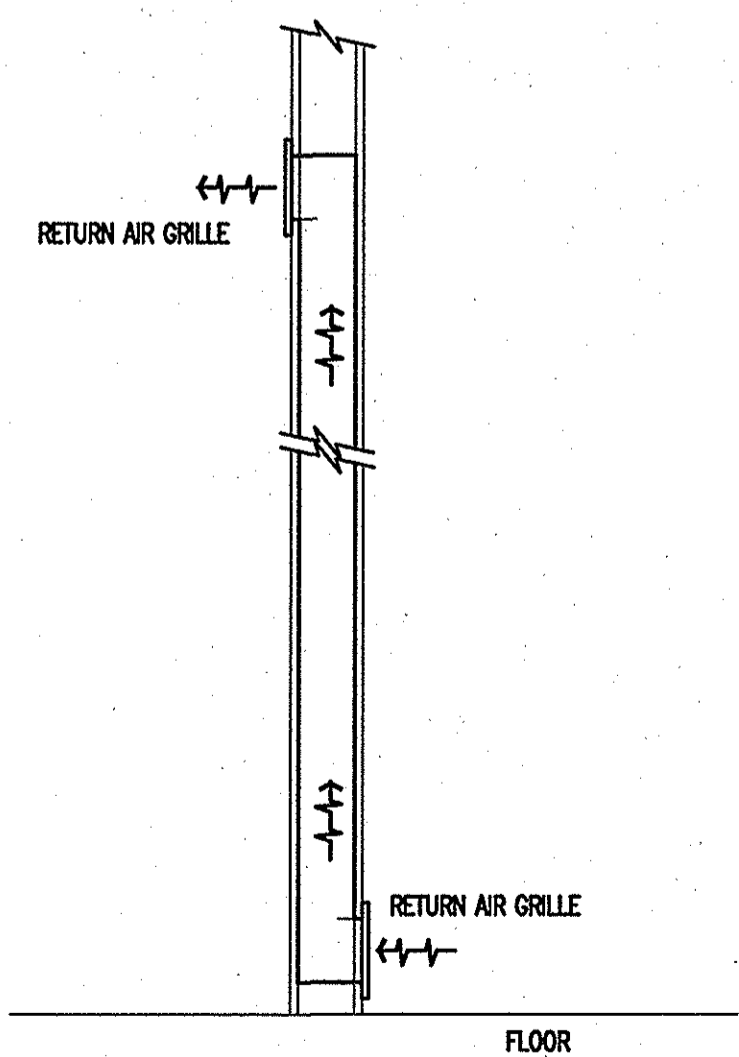


NOTES:

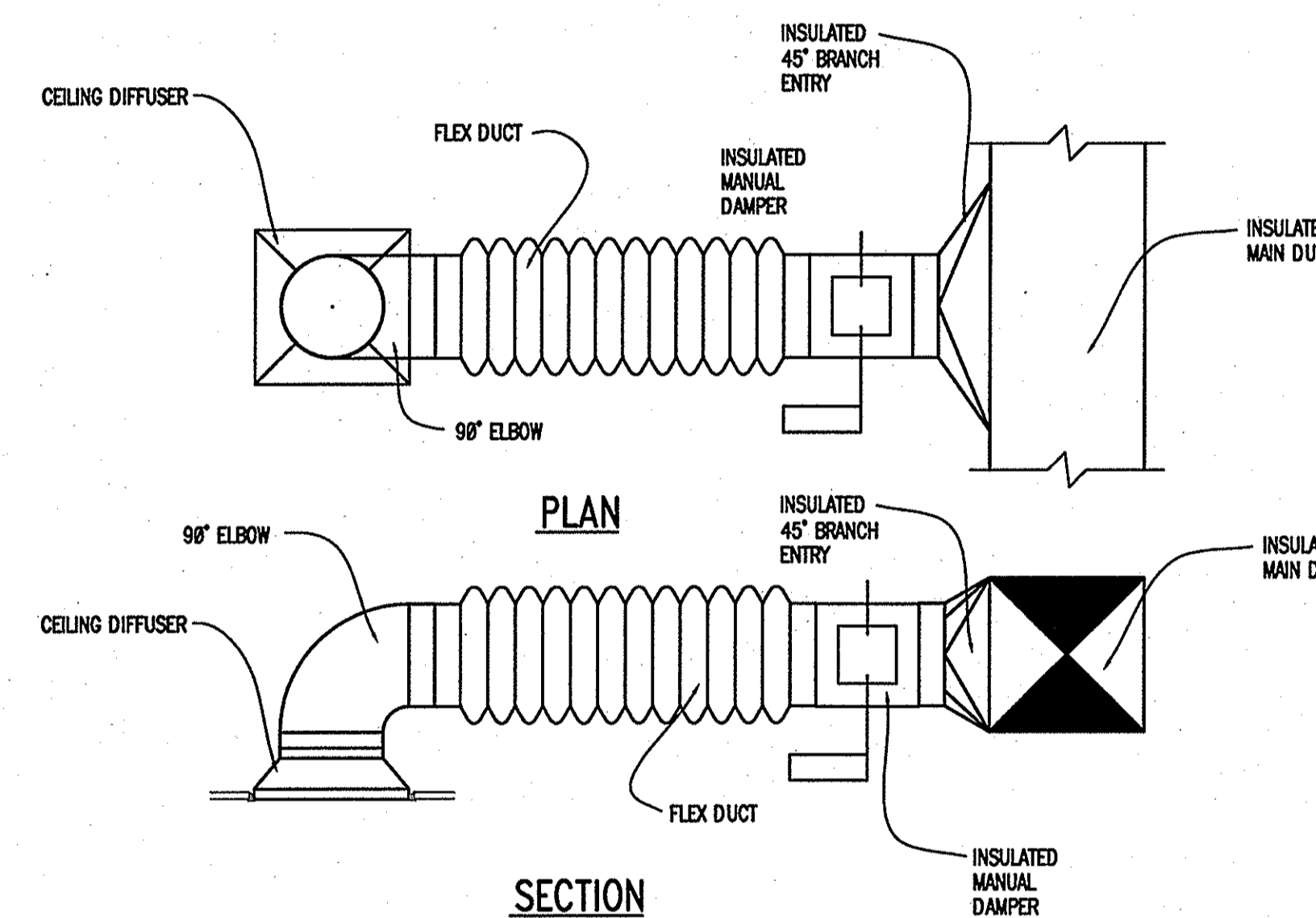
- INSTALL VANES IN SECTIONS OR USE TIE RODS TO LIMIT UNBRACED VANE LENGTH.
- SECURELY FASTEN VANES TO RUNNERS TO ELIMINATE VIBRATION.
- IF W1 ≠ W2, SPECIAL PROVISION MUST BE MADE IN VANES SHAPE, ANGLE OF ENTRY, OR EXIT. THIS APPLIES TO ALL TYPES OF VANES.



L = MAX UNSUPPORTED VANE LENGTH
SMALL SINGLE VANE : 36"
LARGE SINGLE VANE : 36"
SMALL DOUBLE VANE : 60"
LARGE DOUBLE VANE : 72"

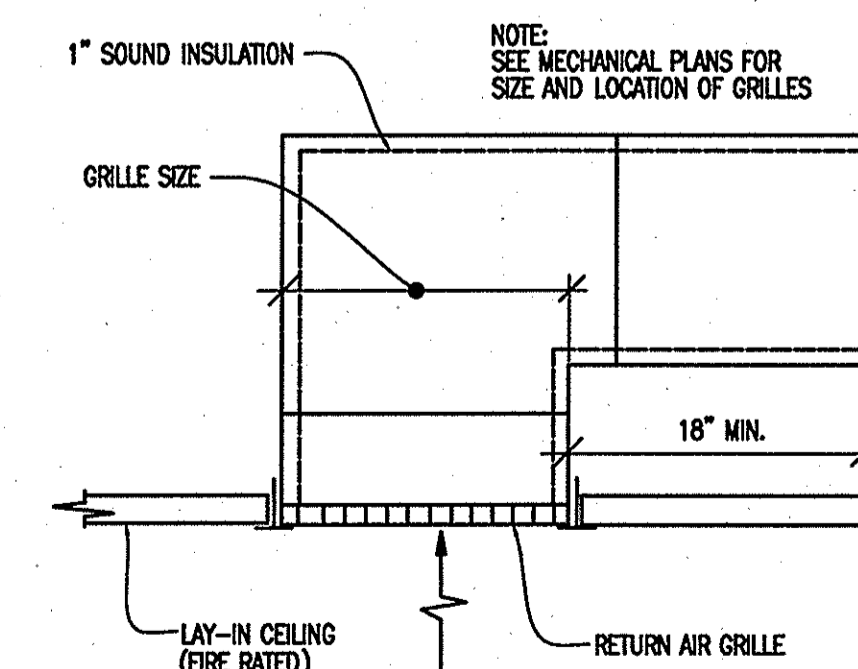


4 POWER ROOF VENTILATOR DETAIL



NOTE:
1. SEAL & CLAMP ALL DUCT CONNECTIONS AIRTIGHT.

1 FLEX DUCT TO DIFFUSER DETAIL



5 CEILING RETURN DUCTWORK

2 TURNING VANES IN ELBOW DETAIL

3 WALL RETURN TRANSFER

REVISION _____ DATE _____

I hereby certify that this plan, specification or report was prepared by me or under my direct supervision and that I am a duly Licensed Engineer under the laws of the state of Minnesota.

Perry R. Nessler, P.E.
Date 2-09-07 License No. 22468

HVAC SCHEDULES & DETAILS

PROJECT NO: 06782
SCALE: AS NOTED
DATE: 2-09-07
DRAWN BY: KJH
DRAWN BY: PFM

M5.1