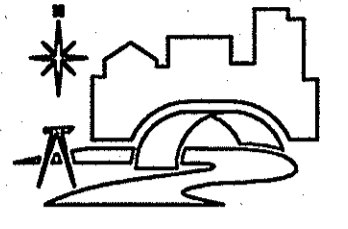
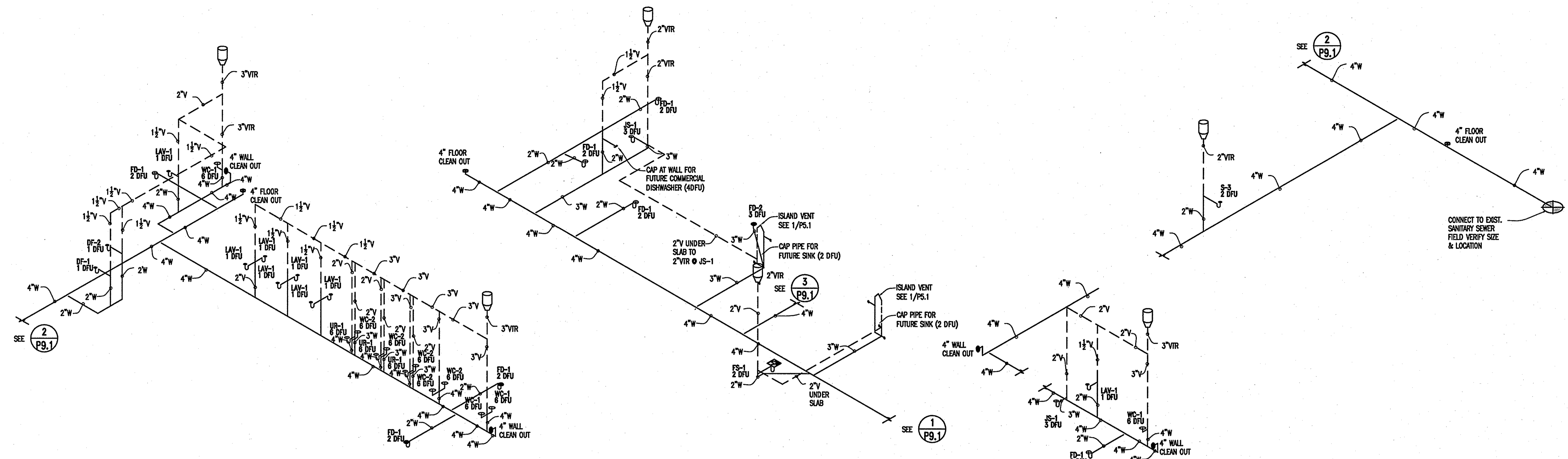


CONSULTANTS

DUFFY ENGINEERING AND ASSOCIATES, INC.
STRUCTURAL - CIVIL - SURVEYING -
MECHANICAL - ELECTRICAL
350 Highway 10 South Suite 101 St.
Cloud, MN 56304
Phone: (320) 259-6575
Fax: (320) 259-6591
Email: mail@duffyeng.com

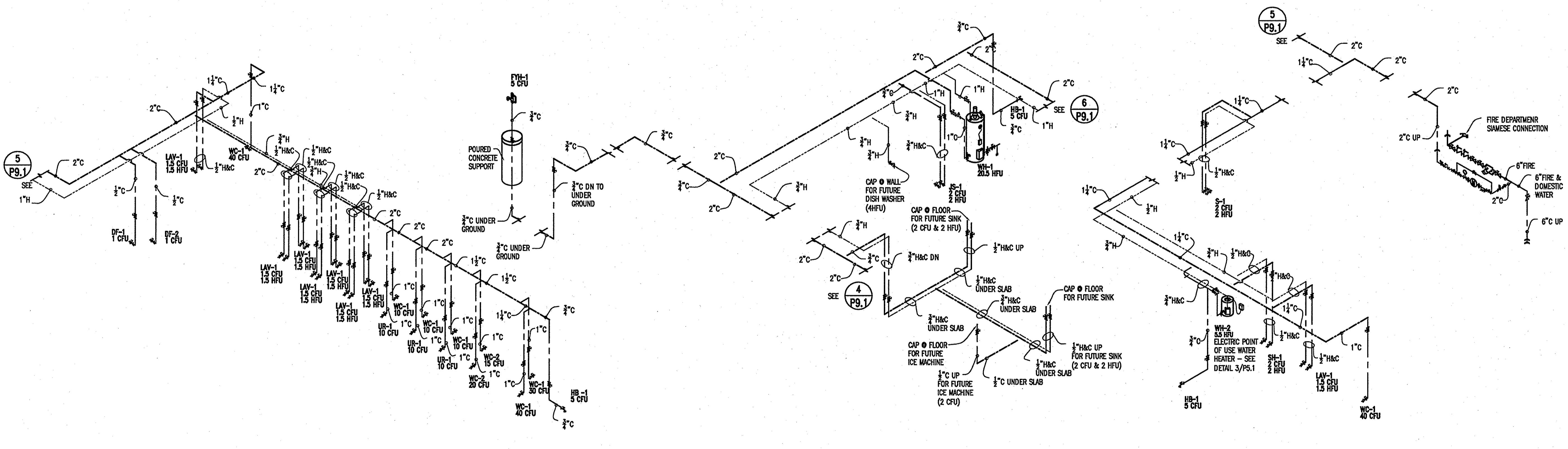
Mount Olivet
Assembly of God
14201 Cedar Avenue South
Apple Valley, MN 55124
952.432.4332



3 WASTE & VENT RISER
P9.1 UNISEX RESTROOM 104, WOMEN'S RESTROOM 103, MEN'S RESTROOM 104
81 WFU NO SCALE

2 WASTE & VENT RISER
P9.1 CUSTODIAN'S ROOM 105, KITCHEN - ROOM 106, PANTRY - ROOM 107
18WFU NO SCALE

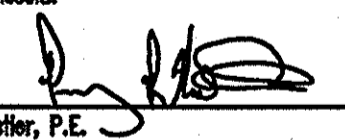
1 WASTE & VENT RISER
P9.1 UNISEX RESTROOM 115, PRAYER/CLASSROOM 112, WORK/CLASSROOM 119
14 DFU NO SCALE



6 DOMESTIC WATER RISERS
P9.1 UNISEX RESTROOM 104, WOMEN'S RESTROOM 103, MEN'S RESTROOM 104
222.5 CFU
10.5 HFU NO SCALE

5 DOMESTIC WATER RISERS
P9.1 CUSTODIAN'S ROOM 105, KITCHEN - ROOM 106, PANTRY - ROOM 107,
18 CFU
10 HFU NO SCALE

4 DOMESTIC WATER RISERS
P9.1 UNISEX RESTROOM 115, PRAYER/CLASSROOM 112, WORK/CLASSROOM 119
50.5 CFU
5.5 HFU NO SCALE

REVISION _____ DATE _____
I hereby certify that this plan, specification or report was prepared by me or under my direct supervision and that I am a duly Licensed Engineer under the laws of the state of Minnesota.

Perry R. Neller, P.E.
Date 2-09-07 License No. 22468

**PLUMBING RISERS:
WASTE & VENT
DOMESTIC WATER**

PROJECT NO.:	06732
SCALE:	NO SCALE
DATE:	2-09-07
DRAWN BY:	JRM
CHECKED BY:	PRN

REF ATTACHMENTS: 02/09/07: 27-06732-WP9.1 PLUMBING RISERS.dwg, 2/27/2007 10:28:37 AM, 1:1, JRM