

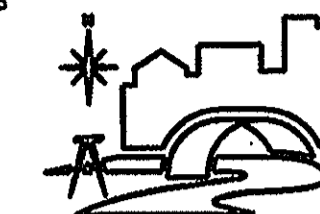
**ROOF FRAMING NOTES:**

- FOR COLUMN COLUMN SCHEDULE AND BASEPLATE DETAILS SEE S3.
- FOR GENERAL STRUCTURAL NOTES AND SPECIFICATIONS SEE S1.
- REFER TO ARCHITECTURAL PLANS FOR DIMENSIONS OF WALLS, OPENINGS, AND ADDITIONAL DETAILS OR SECTIONS.
- VERIFY LOCATIONS AND SIZES OF ALL RTU'S, SUSPENDED EQUIPMENT, AND ROOF PENETRATIONS. NOTIFY ENGINEER OF ANY CHANGES OR DISCREPANCIES. SEE 1/S4 FOR PENETRATION FRAMING DETAILS. SUPPORT ALL SUSPENDED EQUIPMENT OFF TOP CHORD OF JOIST AT PANEL POINTS. BAR JOISTS HAVE BEEN SELECTED TO SUPPORT DRIFTING SNOW AND RTU'S.
- EXTERIOR AND INTERIOR BEARING WALLS ARE SHEARWALLS. ATTACH GYPSUM SHEATHING TO EACH FACE OF PARTITION WITH #6 SCREWS SPACED AT 7" OC, PER IBC 2211.4.3.

**NEGIN ARCHITECTS**

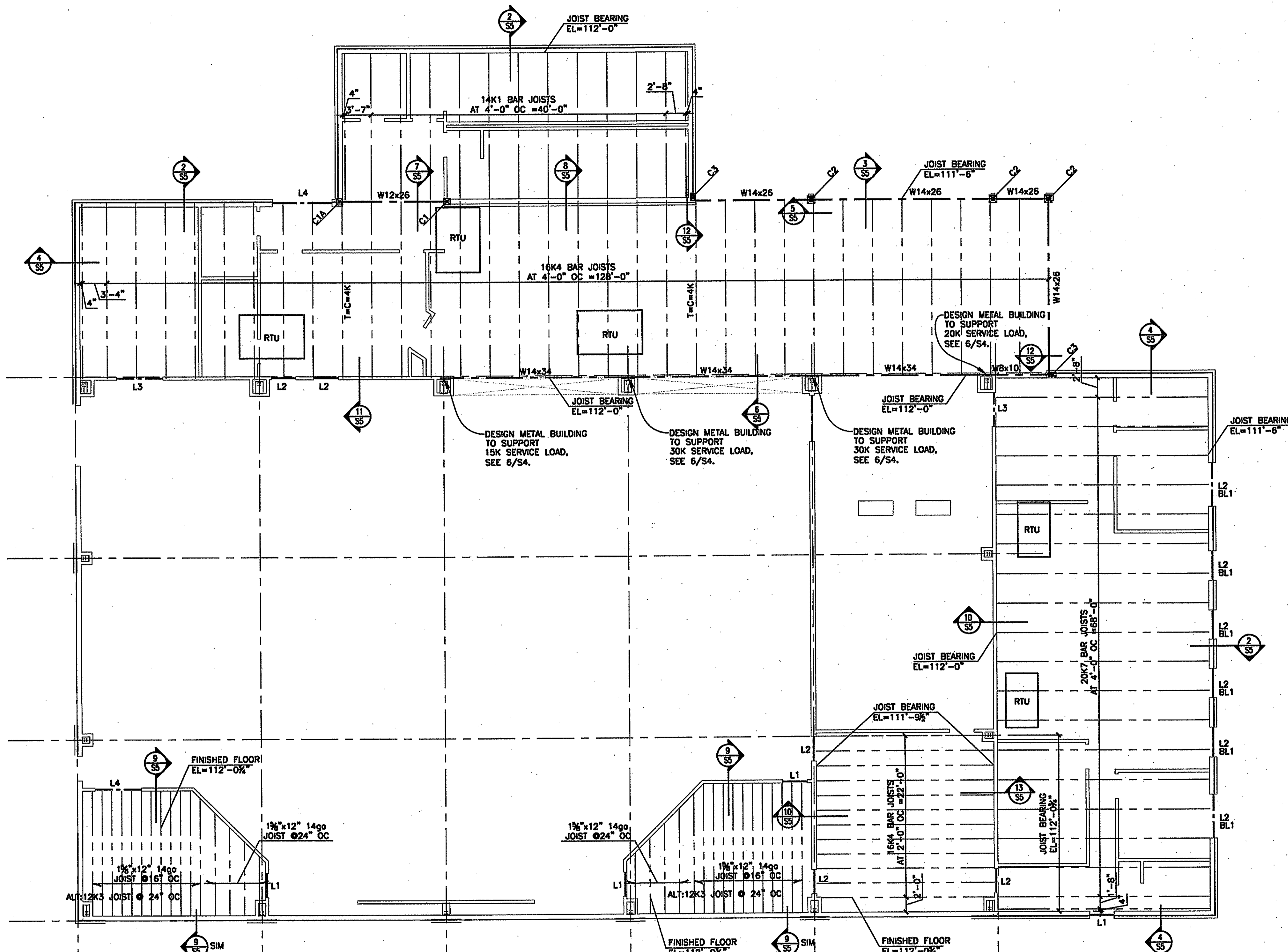
STUDIO 22517 178th Ave. Suite 200  
Cold Spring, Minnesota 56320  
TELEPHONE 320.685.3304  
FACSIMILE 320.685.4089

CONSULTANTS



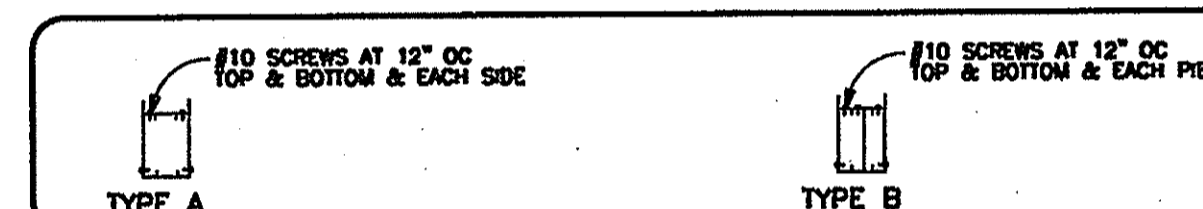
**DUFFY ENGINEERING AND ASSOCIATES, INC.**  
STRUCTURAL - CIVIL - SURVEYING - MECHANICAL - ELECTRICAL  
350 Highway 10 South Suite 101 St.  
Cloud, MN 56304  
Phone(320) 259-6575  
Fax: (320) 259-6991  
Email: mail@duffyeng.com

*Mount Olivet*  
Assembly of God  
14201 Cedar Avenue South  
Apple Valley, MN 55124  
952.432.4332

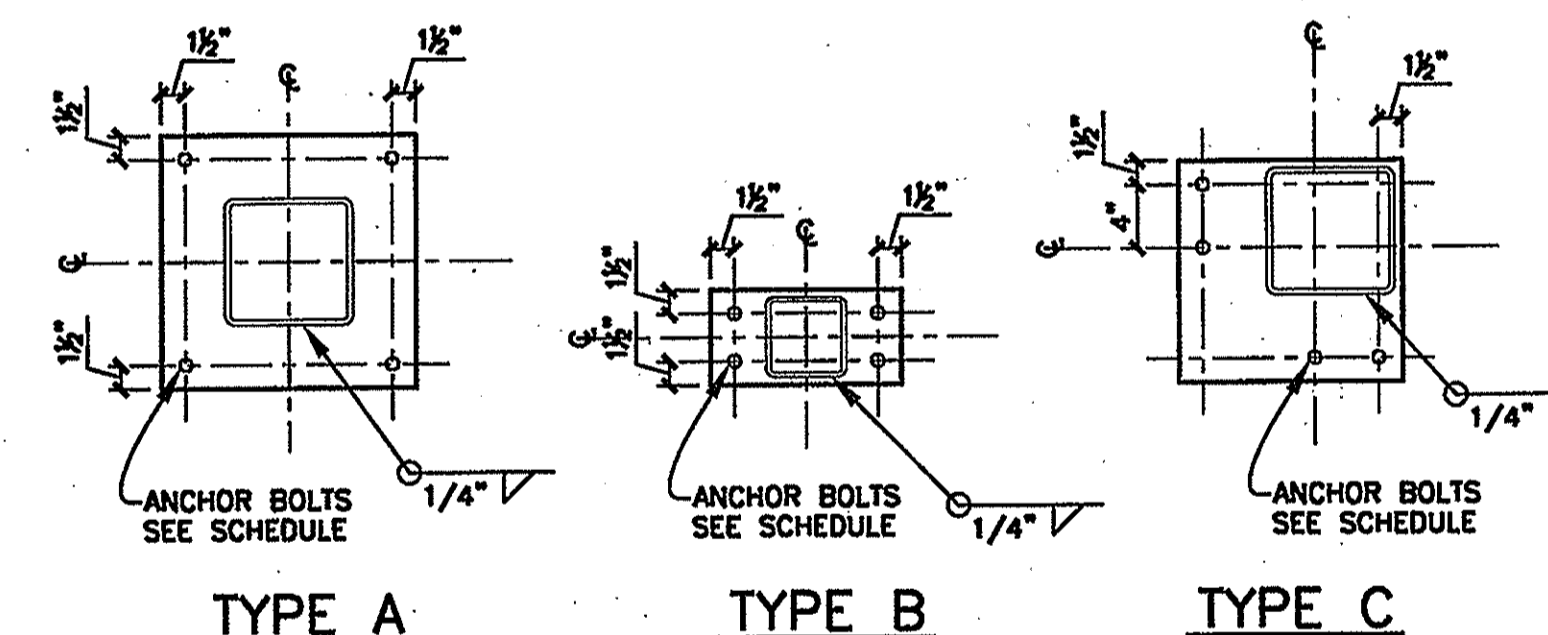


**LINTEL SCHEDULE**

MK	SIZE, TYPE	JAMB/COMMENTS: S=STUD T=TRIMMER (UNLESS NOTED OTHERWISE ON PLAN)
L1	(2) 1 1/2" x 6" 16 GA., A	2S, STIFFCLIP HE WITH (12) #10 SCREWS
L2	(3) 1 1/2" x 8" 16 GA., A	2S, STIFFCLIP HE WITH (16) #10 SCREWS
L3	(3) 1 1/2" x 8" 14 GA., B	2S, STIFFCLIP HE WITH (16) #10 SCREWS
L4	(3) 1 1/2" x 12" 14 GA., A	2S, STIFFCLIP HE WITH (20) #10 SCREWS
BL1	4x4x1/2"	B" MINIMUM BEARING



- NOTES:**
- STIFFCLIP HE SHALL BE INSTALLED WITH NUMBER OF SCREWS SPECIFIED ABOVE WITH HALF OF THE TOTAL AMOUNT INTO THE JAMB STUDS AND HALF INTO THE LINTEL. STIFFCLIP HE SHALL BE INSTALLED IN PAIRS WITH ONE INSIDE AND ONE OUTSIDE.
  - LINTEL DESIGNATION WITH \* INDICATES LINTEL IS ELEVATED INTO TRUSS/JOIST SPACE.
  - WEB STIFFENERS ARE REQUIRED AT JOIST BEARING FOR LINTELS WITH STEEL BAR JOISTS BEARING ABOVE.



**COLUMN SCHEDULE**

MK	SIZE, TYPE	BASE PLATE SIZE	TYPE	AB
C1	HSS 4x4x3/8"	3/4"x7"x12"	B	AB2
C1A	HSS 4x4x3/8"	3/4"x10"x10"	C	AB2
C2	HSS 5x5x3/8"	3/4"x11"x11"	A	AB2
C3	HSS 5x5x3/8"	3/4"x7"x12"	B	AB2

**ANCHOR BOLT SCHEDULE**

MK	DIA. (INCHES)	LENGTH (INCHES)	EMBED (INCHES)	PROJ (INCHES)	COMMENTS
AB1	1/2	10	7	3	
AB2	3/4	12.5	9	3.5	
AB3	1	16	12	4	
AB4	1 1/4	19.5	15	4.5	
AB5	1 1/2	23	18	5	

- NOTES:**
- VERIFY REQUIRED PROJECTION AND ADJUST LENGTH ACCORDINGLY.
  - ANCHOR BOLTS: ASTM A307 OR ASTM A38. ANCHOR BOLTS SHALL BE INSTALLED PER IBC 2308.6 WITH 1/2" BOLT AT 48" OC UNO. THERE SHALL BE A MINIMUM OF TWO BOLTS PER PIECE WITH ONE BOLT LOCATED NOT MORE THAN 12 INCHES OR LESS THAN 4 INCHES FROM EACH END OF EACH PIECE. AS AN ALTERNATIVE TO 1/2" ANCHOR BOLTS FOR SILL PLATE ANCHORAGE: 1/2"x6" (4 1/2" EMBED) TITEN HD OR REDHEAD LDT CONCRETE SCREWS OR 1/2"x7" (4 1/2" EMBED) EXPANSION BOLTS MAY BE USED.

REVISION DATE

I hereby certify that this plan, specification or report was prepared by me or under my direct supervision and that I am a duly Licensed Engineer under the laws of the state of Minnesota.

RYAN J. SEAVERT, PE  
Date 02-13-07 License No. 41971

**MEZZANINE AND LOW ROOF FRAMING PLAN**

PROJECT NO: 06337  
SCALE: 1/8"=1'-0"  
DATE: 02-13-07  
DRAWN BY: JKJ  
CHECKED BY: RJS

**MEZZ AND LOW ROOF FRAMING PLAN**

1/8"=1'-0"



**S3**

Daily Project File: 06337 SR03