

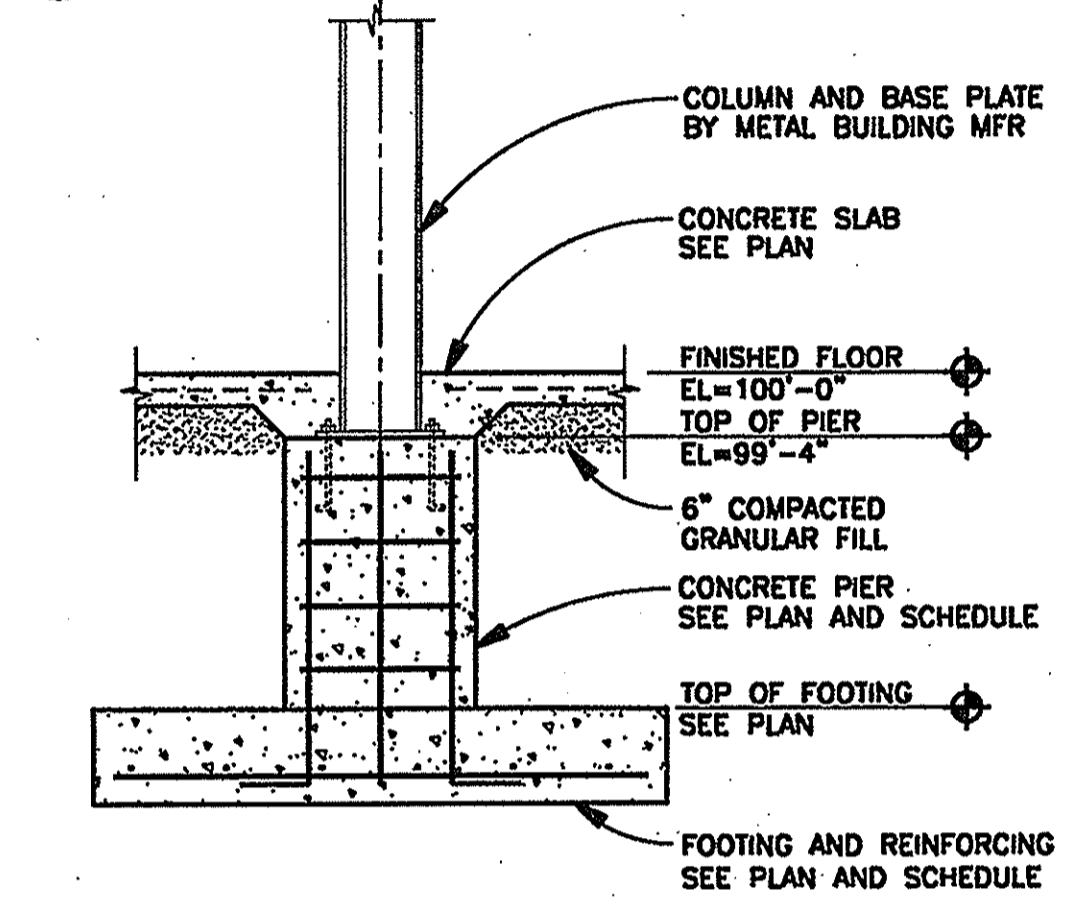
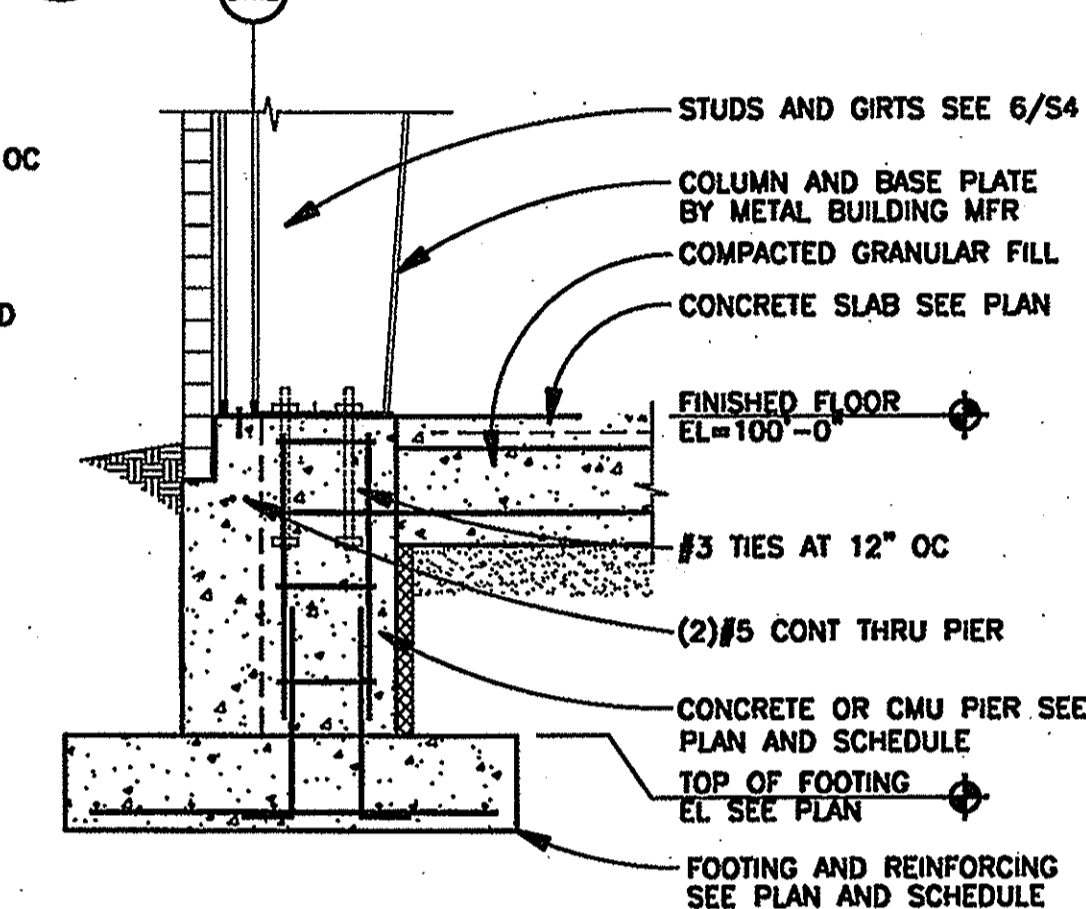
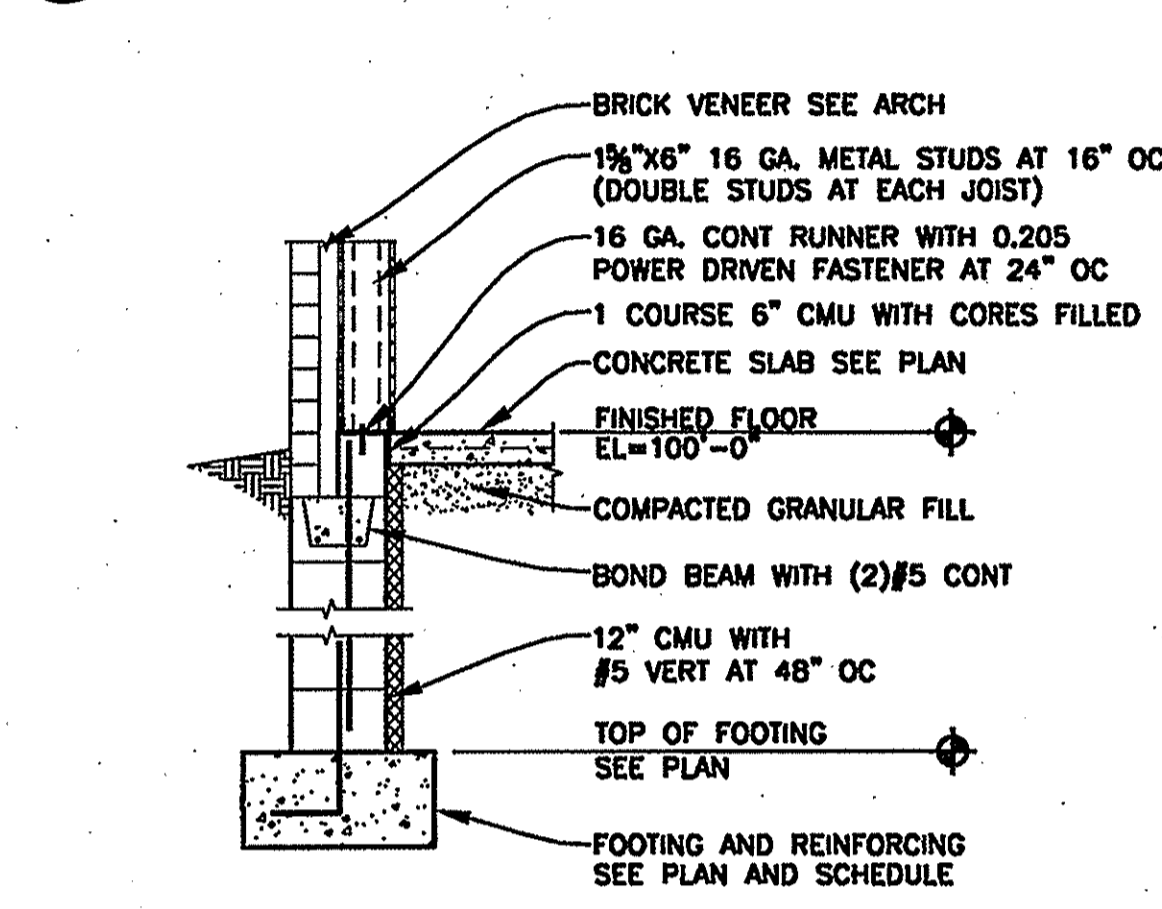
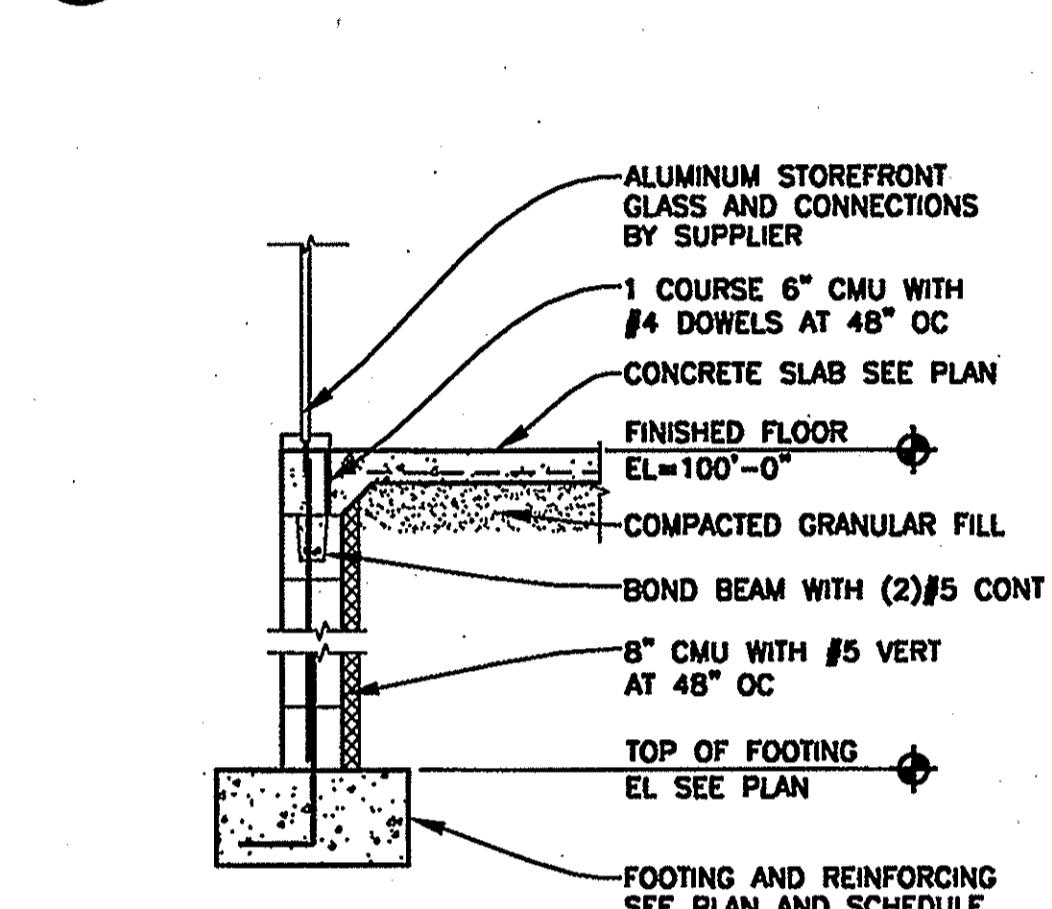
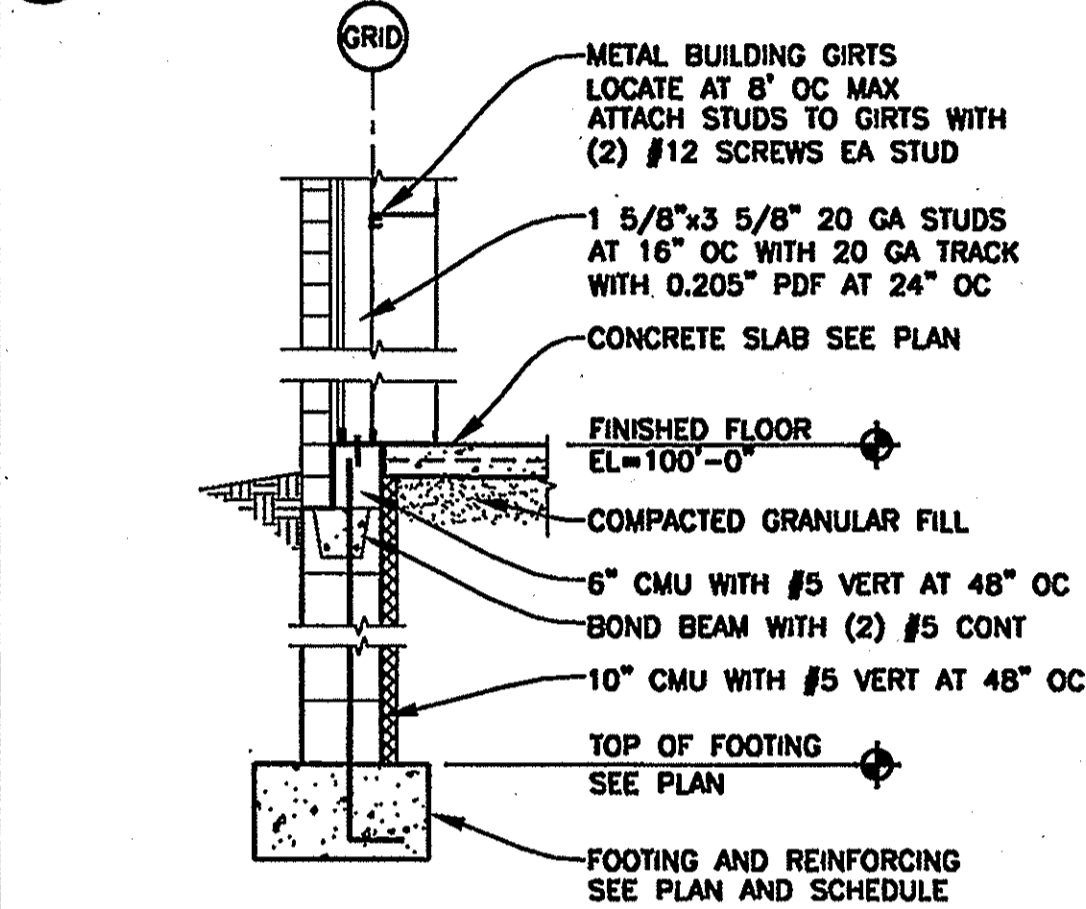
1 SECTION N.T.S.

2 TYPICAL FOOTING STEP N.T.S.

3 SECTION N.T.S.

4 SECTION 1/2"=1'-0"

5 SECTION 1/2"=1'-0"



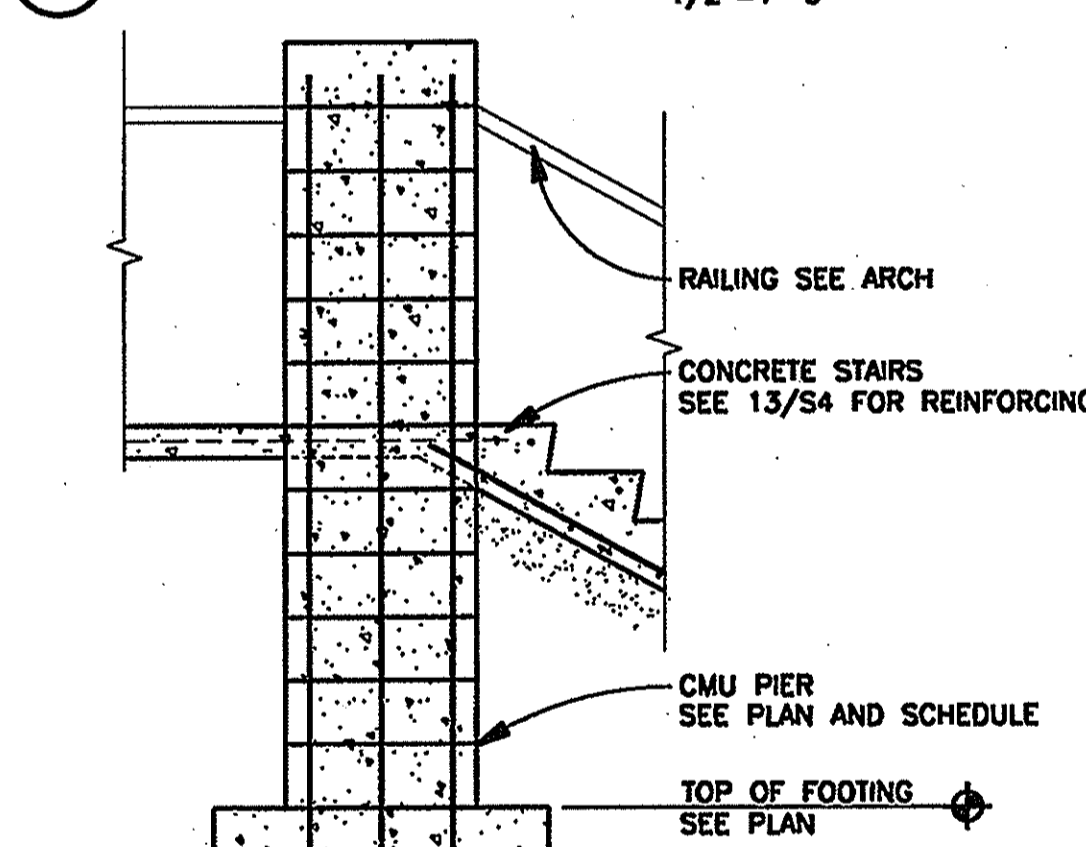
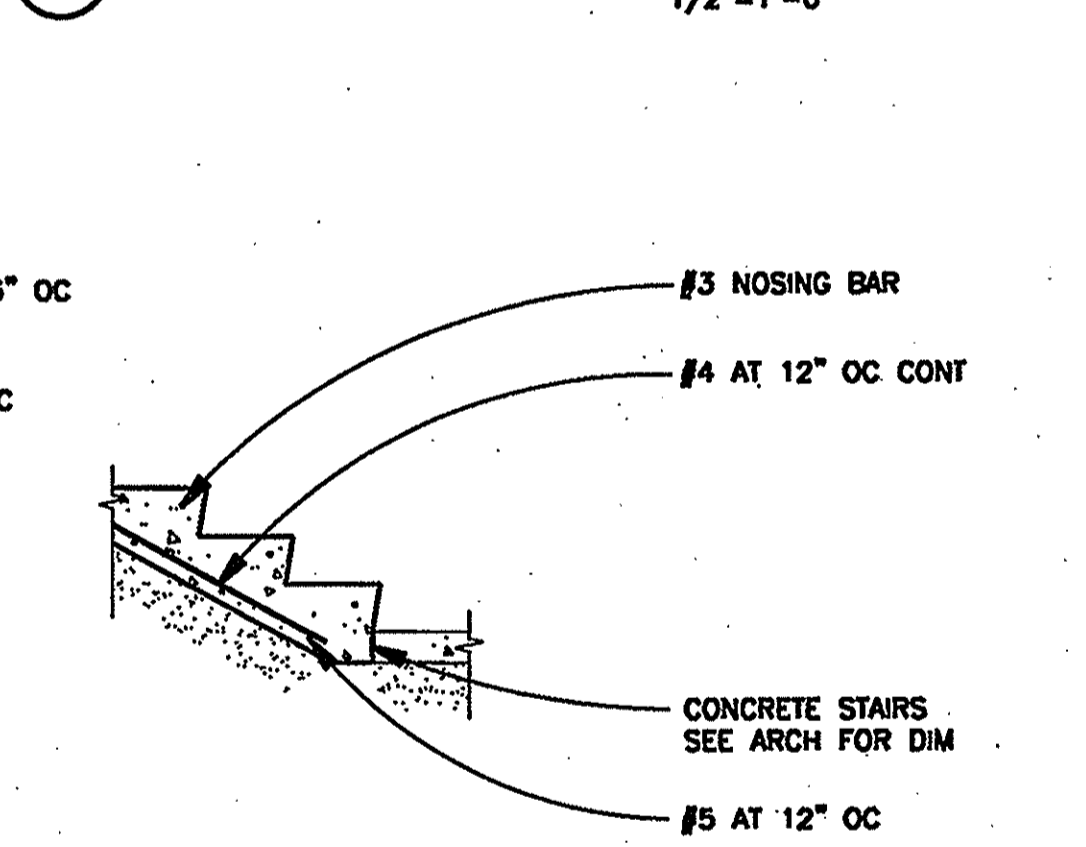
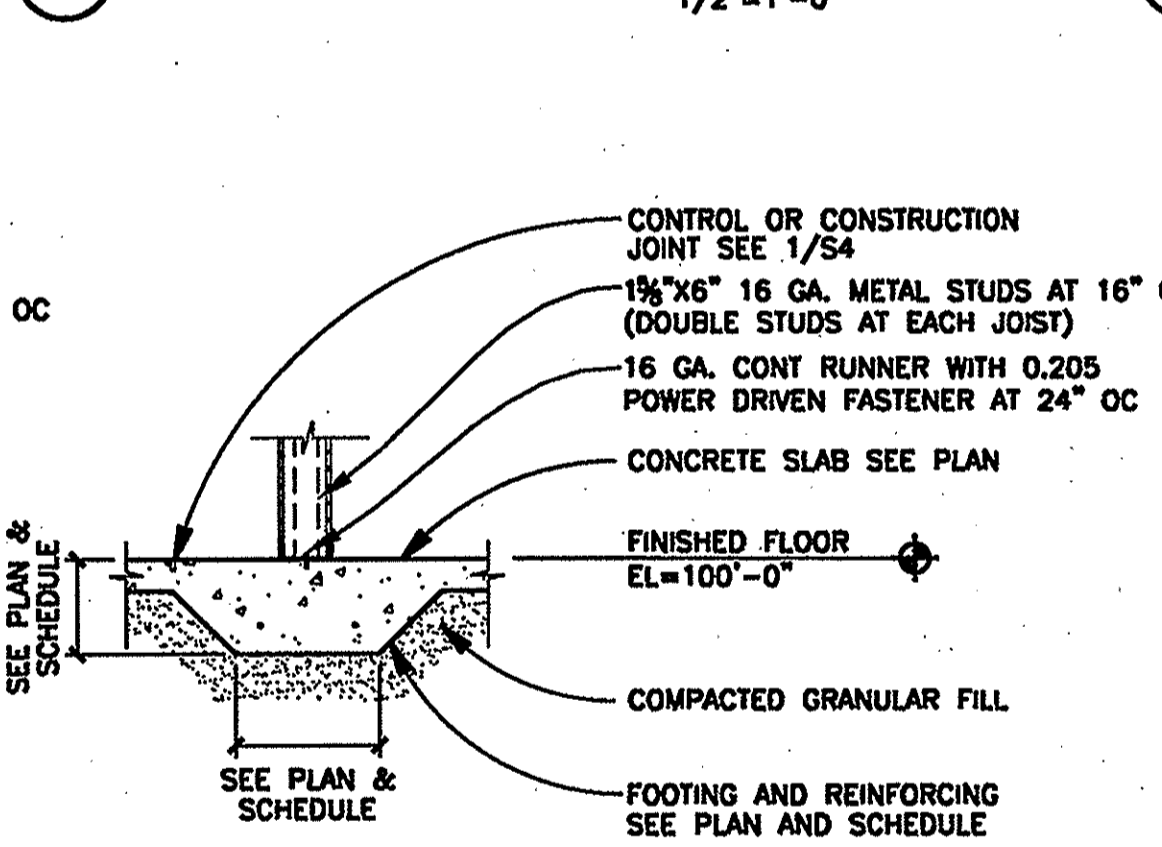
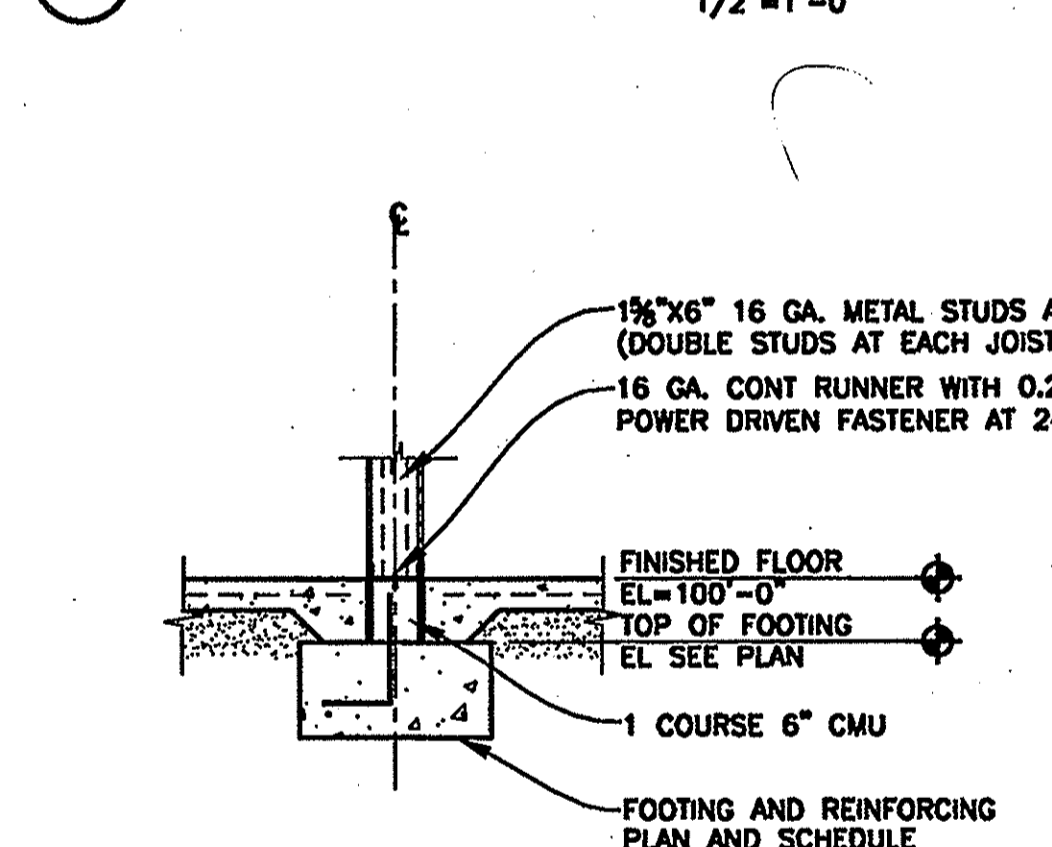
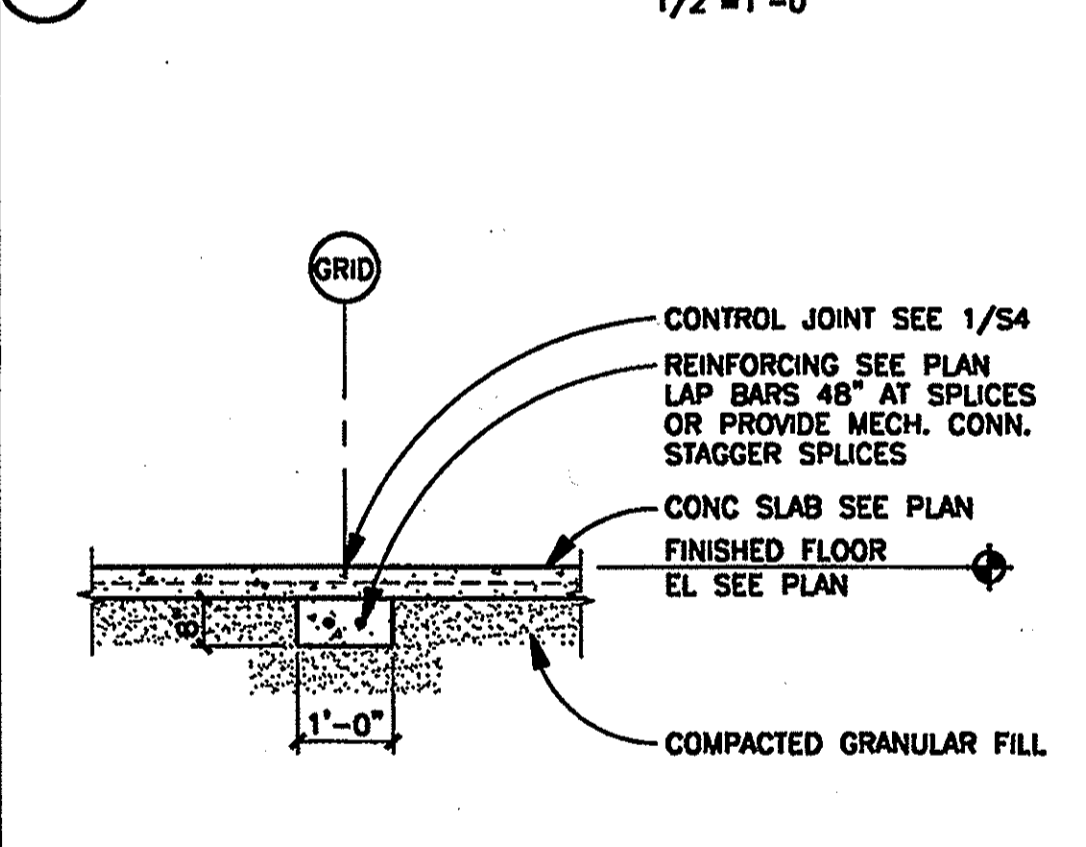
6 SECTION 1/2"=1'-0"

7 SECTION 1/2"=1'-0"

8 SECTION 1/2"=1'-0"

9 SECTION 1/2"=1'-0"

10 SECTION 1/2"=1'-0"



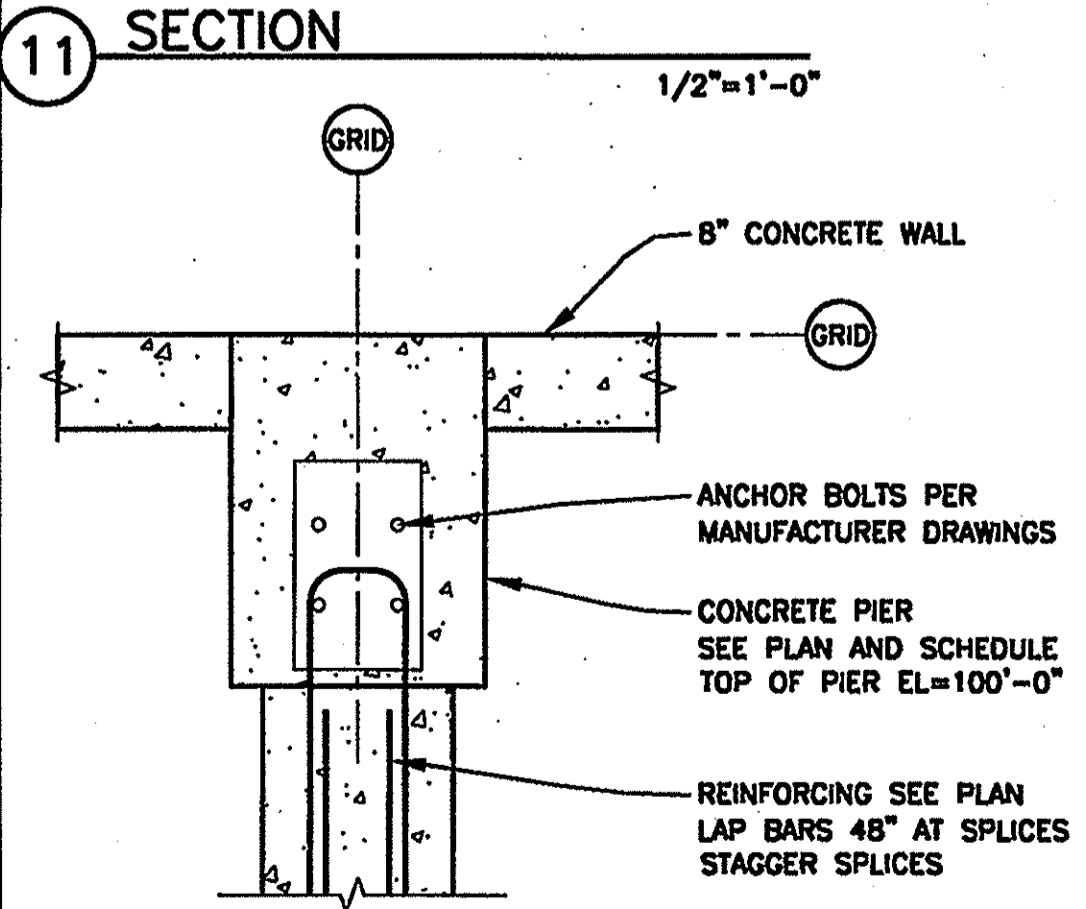
11 SECTION 1/2"=1'-0"

12 SECTION 1/2"=1'-0"

12A SECTION (CONTRACTOR ALT) 1/2"=1'-0"

13 SECTION 1/2"=1'-0"

14 SECTION 1/2"=1'-0"



15 TYP TIE DETAIL 1"=1'-0"

NEGEN
ARCHITECTS
STUDIO 22517 178th Ave. Suite 200
Cold Spring, Minnesota 56320
TELEPHONE 320.685.3304
FACSIMILE 320.685.4039

CONSULTANTS

DUFFY ENGINEERING AND ASSOCIATES, INC.
STRUCTURAL - CIVIL - SURVEYING - MECHANICAL - ELECTRICAL
350 Highway 10 South Suite 101 St.
Cloud, MN 56304
Phone (320) 259-6575
Fax: (320) 259-6991
Email: mail@duffyeng.com

Mount Olivet
Assembly of God
14201 Cedar Avenue South
Apple Valley, MN 55124
952.432.4332

REVISION	DATE

I hereby certify that this plan, specification or report was prepared by me or under my direct supervision and that I am a duly Licensed Engineer under the laws of the state of Minnesota.

RYAN J. SEAVER, PE
Date 02-13-07 License No. 41971

SECTIONS AND DETAILS

PROJECT NO.:	06337
SCALE:	1/8"=1'-0"
DATE:	02-13-07
DRAWN BY:	JJK
CHECKED BY:	RJS